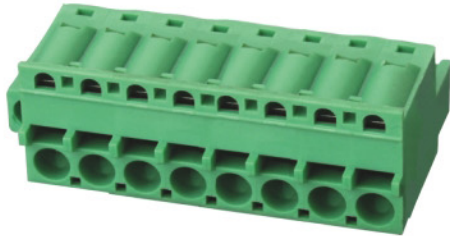




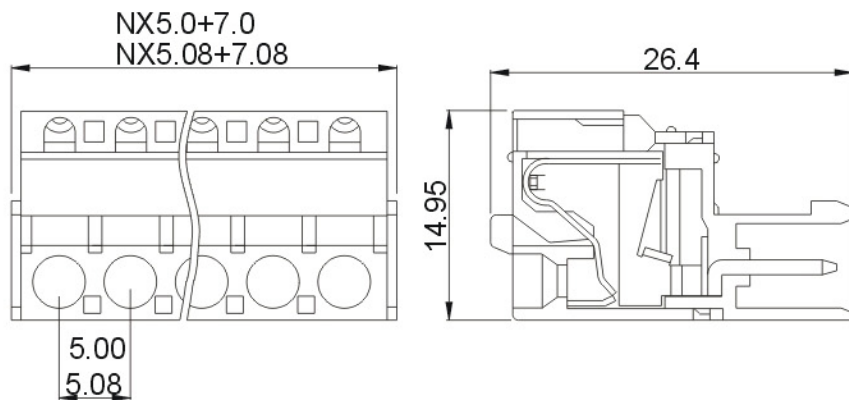
DEGSON ELECTRONICS CO., LTD.

Product Specification

CE



2EDGKDRW-5.0
2EDGKDRW-5.08



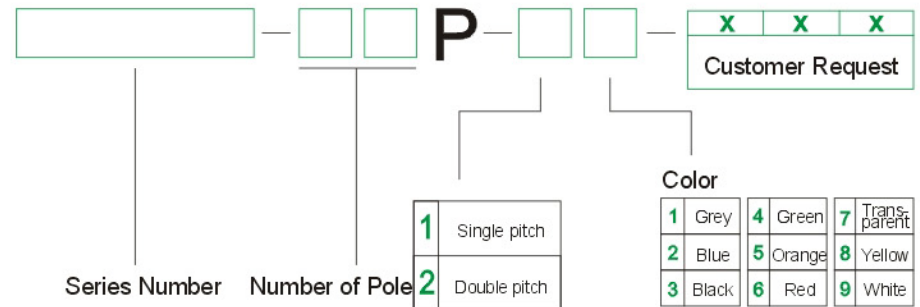
Approval	CE	
Electrical		
Standard	UL	IEC
Rated voltage	300V	320V
Rated current	10A	20A
Wire range	26-12AWG	2.5mm ²
With standing voltage	AC2500V/1Min	

Mechanical		
Ambient temperature	-40°C~+105°C	
Strip length	10mm	

Dimensions		
Pitch	5.0mm(.197") ϕ 5.08mm(.200")	
Poles	2P-16P	

Material		
Housing	PA66, UL94V-0	
Contact	Phosphor bronze	
Wire guard	Stainless steel	

HOW TO ORDER



	DEGSON ELECTRONICS CO., LTD.
	NAME 2EDGKDRW-5.0 2EDGKDRW-5.08