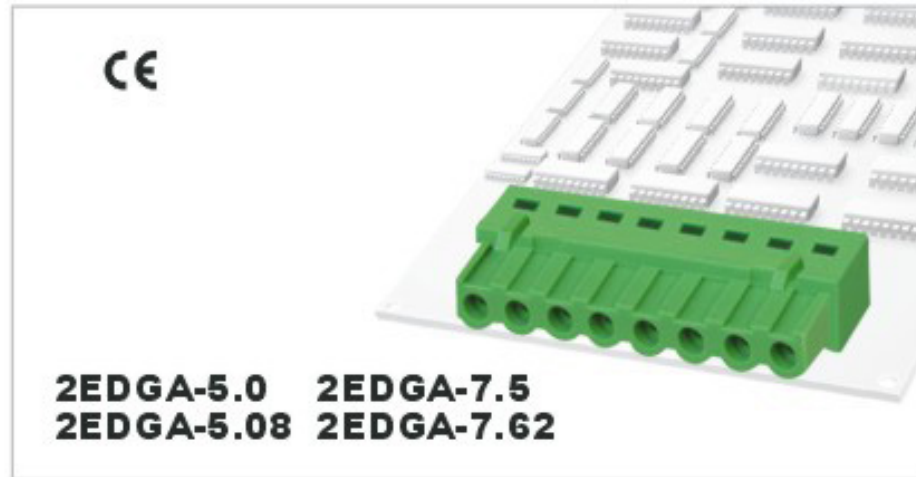


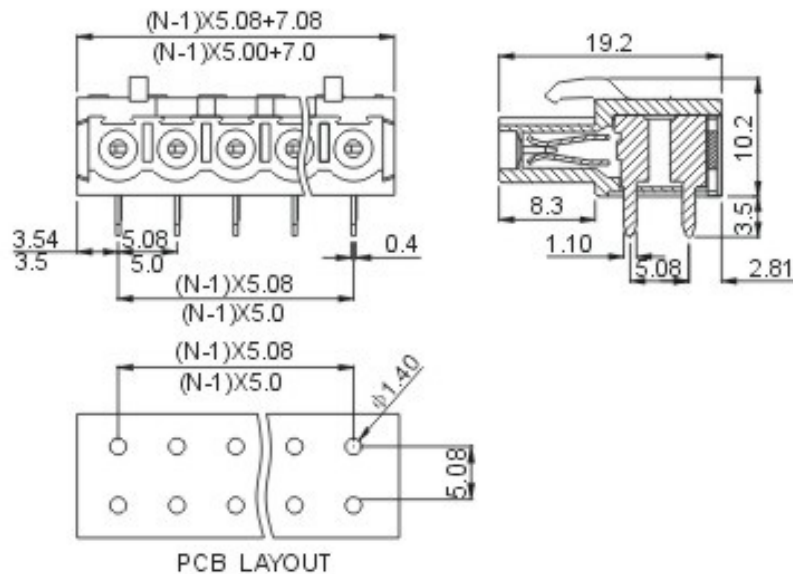


# DEGSON ELECTRONICS CO., LTD.

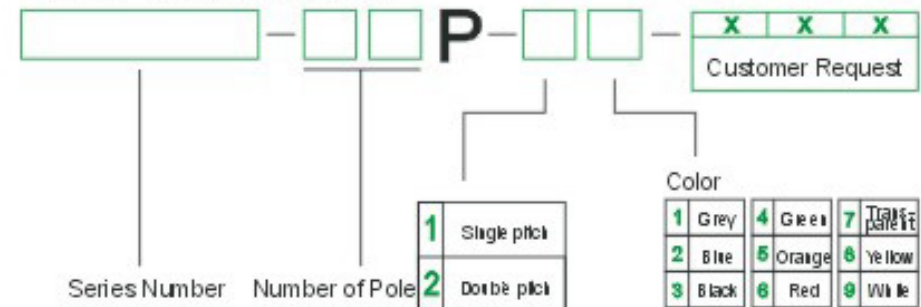
## Product Specification



|                       |   |           |
|-----------------------|---|-----------|
| <b>Approval</b>       | CE  |           |
| <b>Electrical</b>     |   |           |
| Standard              | UL  | IEC       |
| Rated voltage         | 300V  | 320V,400V |
| Rated current         | 15A   | 20A       |
| With standing voltage | AC 2500V/1 Min  |           |
| <b>Mechanical</b>     |   |           |
| Ambient temperature   | -40°C~+105°C  |           |
| <b>Dimensions</b>     |   |           |
| Pitch                 | 5.0mm (.197") 5.08mm (.200") 7.5mm (.295") 7.62mm (.300") |           |
| Poles                 | 2P-24P  | 2P-12P    |
| <b>Material</b>       |   |           |
| Housing               | PA66, UL94V-0   |           |
| Contact               | Phosphor bronze, Tin plated                               |           |



### HOW TO ORDER



|  |  |
|--|--|
|  | <b>DEGSON ELECTRONICS CO., LTD.</b>  |
|  | <b>NAME</b> <b>2EDGA-5.0</b> <b>2EDGA-7.5</b><br><b>2EDGA-5.08</b> <b>2EDGA-7.62</b> |