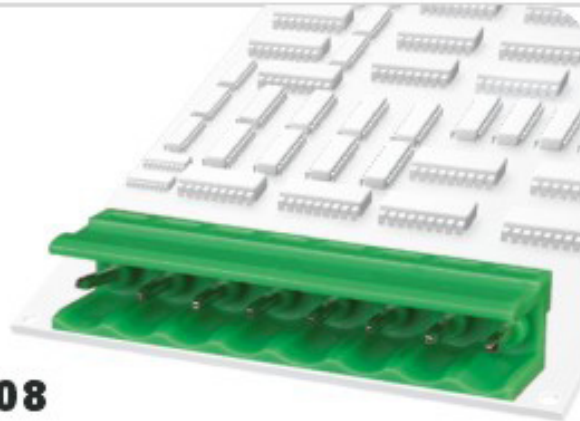




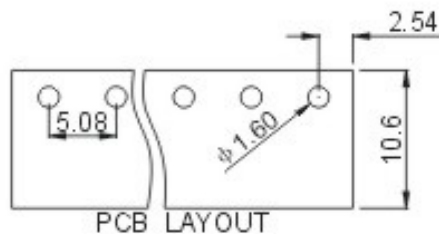
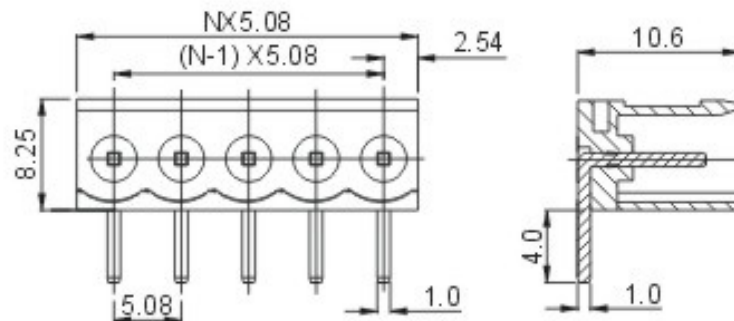
DEGSON ELECTRONICS CO., LTD.

Product Specification

CE

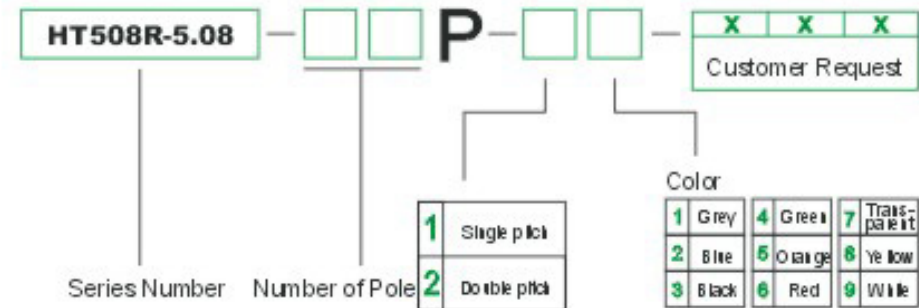


HT508R-5.08



Approval	CE	
Electrical		
Standard	UL	IEC
Rated voltage	150V	320V
Rated current	12A	20A
With standing voltage	AC2500V/1Min	
Mechanical		
Ambient temperature	-40°C~+105°C	
Dimensions		
Pitch	5.08mm(.200")	
Poles	2P-24P	
Material		
Housing	PA66, UL94V-0	
Pin header	Brass, Tin plated	

HOW TO ORDER



	DEGSON ELECTRONICS CO., LTD.
	NAME HT508R-5.08