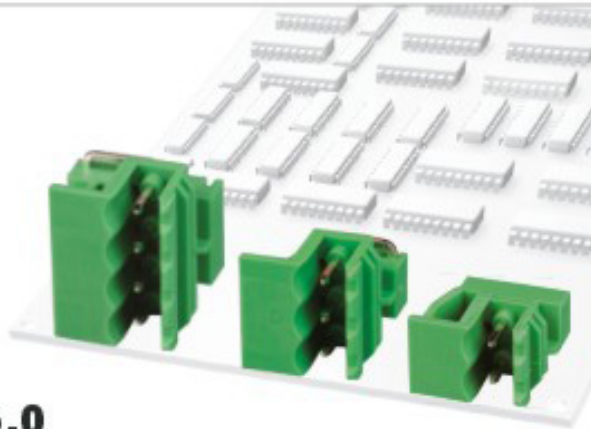




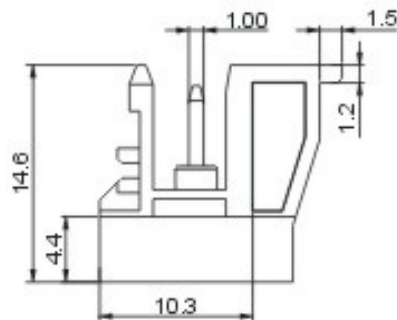
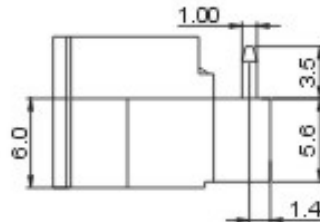
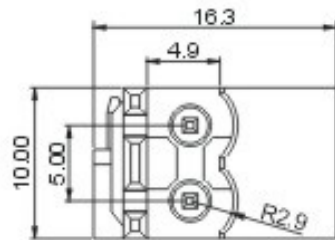
DEGSON ELECTRONICS CO., LTD.

Product Specification

CE



2EDGRF-5.0



Approval

CE

Electrical

Standard	UL	IEC
Rated voltage	300V	320V
Rated current	15A	20A
With standing voltage	AC2500V/1Min	

Mechanical

Ambient temperature	-40°C~+105°C
---------------------	--------------

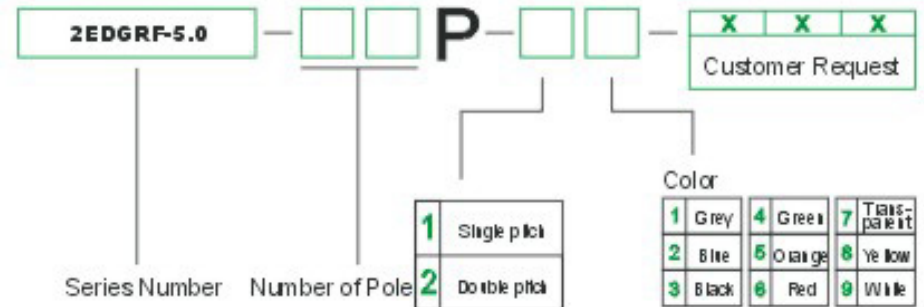
Dimensions

Pitch	5.0mm(.197")
Poles	2P-4P

Material

Housing	PA66, UL94V-0
Pin header	Brass, Tin plated

HOW TO ORDER



	 DEGSON ELECTRONICS CO., LTD.
	NAME 2EDGRF-5.0