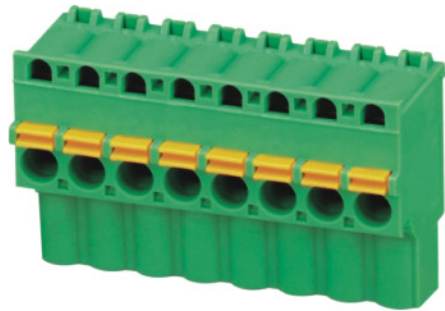


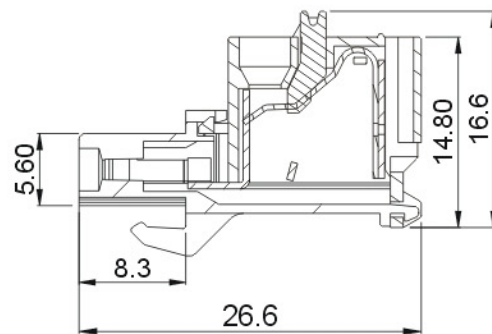
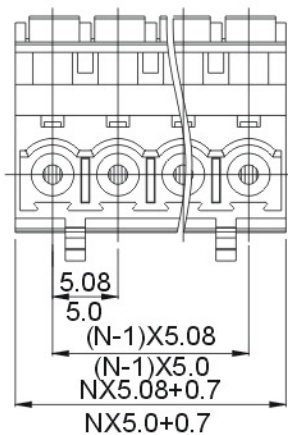


# DEGSON ELECTRONICS CO., LTD.

## Product Specification



**2EDGKDB-5.0**  
**2EDGKDB-5.08**



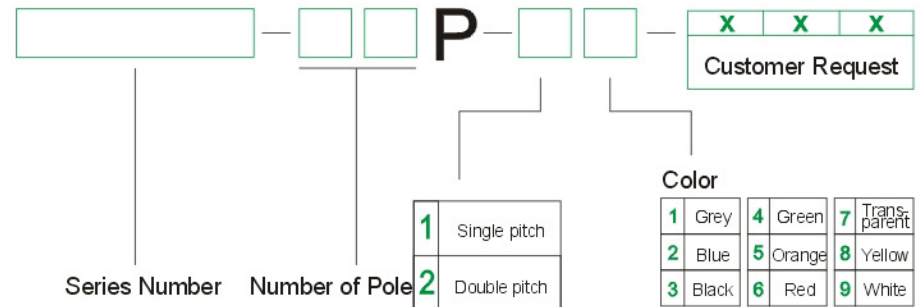
<b>Approval</b>		
<b>Electrical</b>		
Standard	UL	IEC
Rated voltage	300V	320V
Rated current	10A	20A
Wire range	26-12AWG	2.5mm <sup>2</sup>
With standing voltage	AC2500V/1Min	

<b>Mechanical</b>	
Ambient temperature	-40°C~+105°C
Strip length	10mm

<b>Dimensions</b>	
Pitch	5.0mm(.197")/5.08mm(.200")
Poles	2P-18P

<b>Material</b>	
Housing	PA66, UL94V-0
Contact	Phosphor bronze
Wire guard	Stainless steel

### HOW TO ORDER



 	 <b>DEGSON ELECTRONICS CO., LTD.</b>
NAME	<b>2EDGKDB-5.0</b> <b>2EDGKDB-5.08</b>