

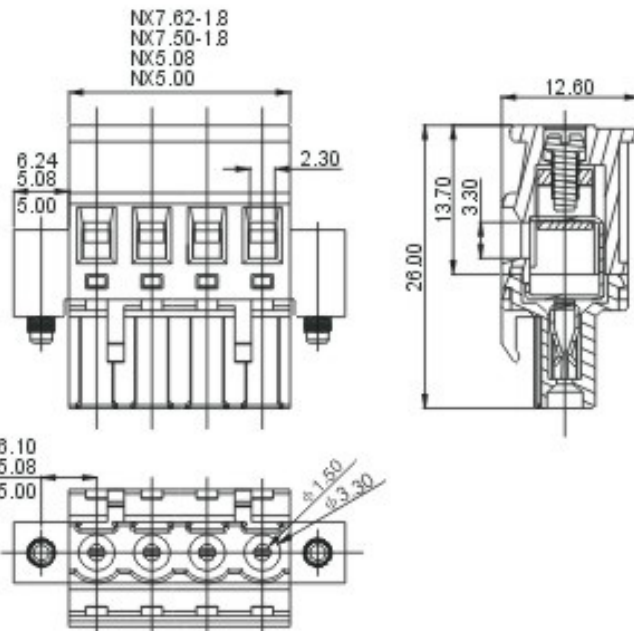


DEGSON ELECTRONICS CO., LTD.

Product Specification



2EDGKAM-5.0 2EDGKAM-5.08
2EDGKAM-7.5 2EDGKAM-7.62



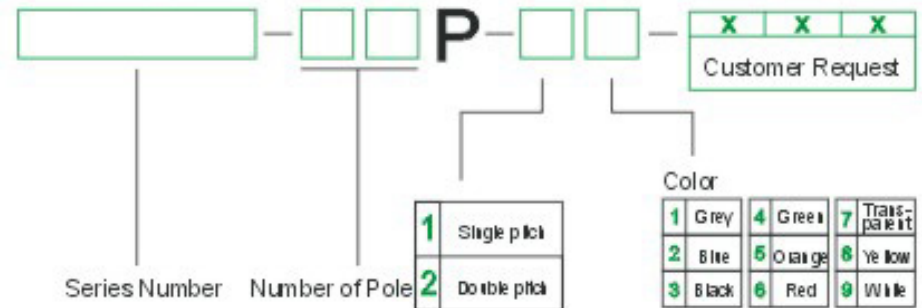
Approval	UL	VDE
Electrical		
Standard	UL	IEC
Rated voltage	300V	320V, 400V
Rated current	15A	10A
Wire range	28-12AWG	2.5mm ²
With standing voltage	AC2500V/1Min	

Mechanical	
Torque	0.4N.m (3.5Lb-In.)
Ambient temperature	-40°C~+105°C
Strip length	7mm

Dimensions	
Pitch	5.0mm (.197") 5.08mm (.200") 7.5mm (.295") 7.62mm (.300")
Poles	2P-22P 2P-12P

Material	
Housing	PA66, UL94V-0
Screws	M2.5, steel, Cr ³⁺ Zn plated
Contact	Phosphor bronze
Cage	Brass, Ni plated

HOW TO ORDER



		DEGSON ELECTRONICS CO., LTD.
	NAME	2EDGKAM-5.0 2EDGKAM-5.08 2EDGKAM-7.5 2EDGKAM-7.62