

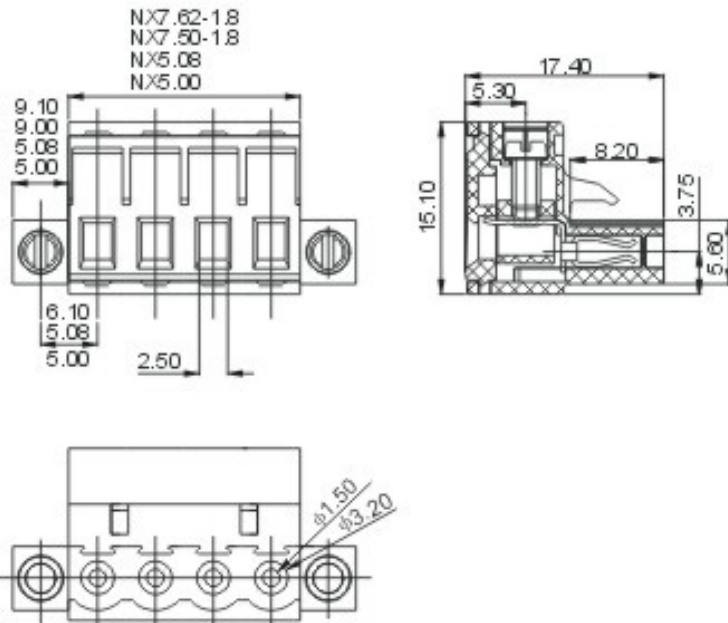


DEGSON ELECTRONICS CO., LTD.

Product Specification



2EDGKM-5.0 2EDGKM-5.08
2EDGKM-7.5 2EDGKM-7.62



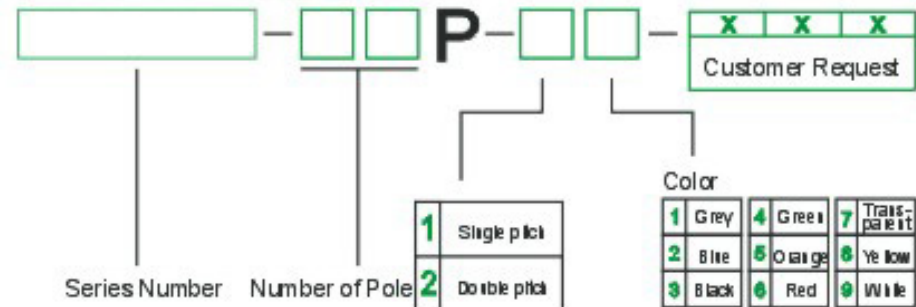
Approval		
Electrical		
Standard	UL	IEC
Rated voltage	300V	320V,400V
Rated current	15A	20A
Wire range	28-12AWG	2.5mm ²
With standing voltage	AC2500V/1Min	

Mechanical	
Torque	0.4Nm(3.5Lb-In.)
Ambient temperature	-40°C~+105°C
Strip length	7mm

Dimensions	
Pitch	5.0mm(.197")7.5mm(.295") 5.08mm(.200")7.62mm(.300")
Poles	2P -24P 2P -12P

Material	
Housing	PA66, UL94V-0
Screws	M2,steel,Cr ^{III} Znplated
Contact	Phosphor bronze
Wire guard	Brass,Ni plated

HOW TO ORDER



 	 DEGSON ELECTRONICS CO., LTD.
NAME	2EDGKM-5.0 2EDGKM-5.08 2EDGKM-7.5 2EDGKM-7.62