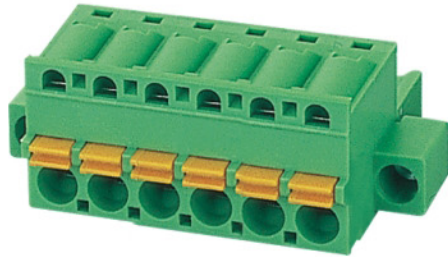




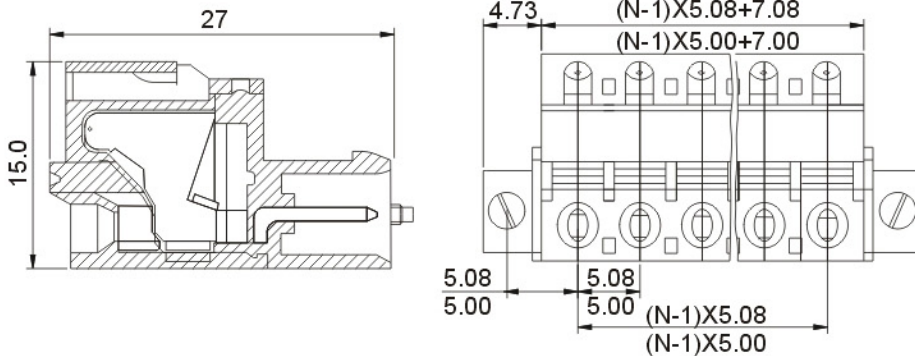
# DEGSON ELECTRONICS CO., LTD.

## Product Specification

CE



**2EDGKDRM-5.0**  
**2EDGKDRM-5.08**



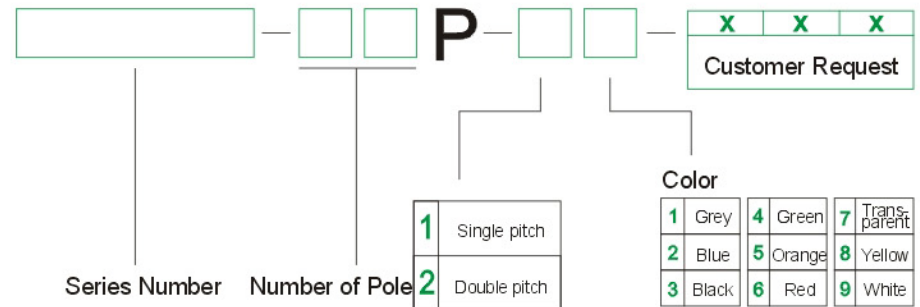
<b>Approval</b>	CE	
<b>Electrical</b>		
Standard	UL	IEC
Rated voltage	300V	320V
Rated current	10A	20A
Wire range	26-12AWG	2.5mm <sup>2</sup>
With standing voltage	AC2500V/1Min	

<b>Mechanical</b>		
Ambient temperature	-40°C~+105°C	
Strip length	10mm	

<b>Dimensions</b>		
Pitch	5.0mm(.197")5.08mm(.200")	
Poles	2P-16P	

<b>Material</b>		
Housing	PA66, UL94V-0	
Contact	Phosphor bronze	
Wire guard	Stainless steel	

### HOW TO ORDER



	<b>DEGSON ELECTRONICS CO., LTD.</b>
	NAME <b>2EDGKDRM-5.0</b> <b>2EDGKDRM-5.08</b>