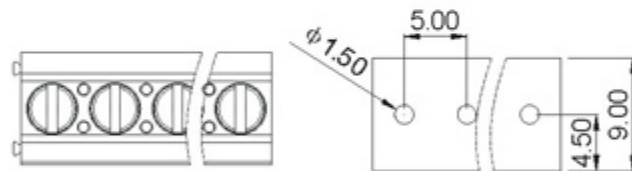
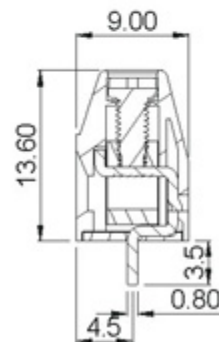
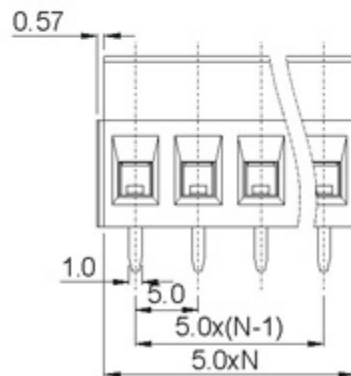





DG125-5.0



PCB LAYOUT

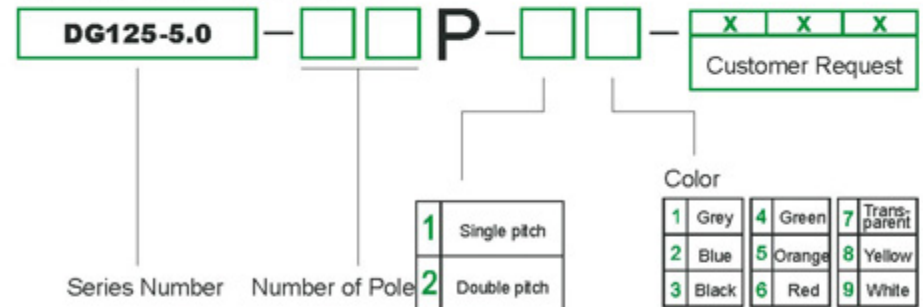


Approval		
Electrical		
Standard	UL	IEC
Rated voltage	300V	250V
Rated current	10A	18A
Wire range	24-12AWG	0.5-2.5mm ²
With standing voltage	AC2000V/1Min	

Mechanical		
Torque	0.4Nm(3.5Lb-In.)	
Ambient temperature	-40°C~+105°C	
Strip length	7mm	
Dimensions		
Pitch	5.0mm(.197")	
Poles	2P,3P-24P	

Material		
Housing	PA66, UL94V-0	
Screws	M2.5, steel, Cr ³⁺ Zn plated	
Pin header	Brass, Tin plated	
Cage	Brass, Ni plated	

HOW TO ORDER



	 DEGSON ELECTRONICS CO., LTD.
	NAME DG125-5.0