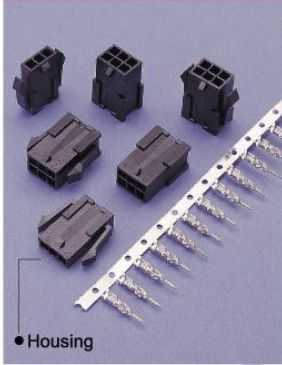


## H4030 Series 3.0mm Crimp Terminal Housing



**H** **4030** — **12** **P** **D** **B** **0** **0** **0**

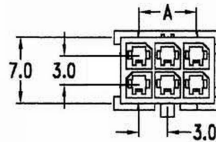
1 2 3 4 5 6 7 8 9

- |   |  |  |
|---|--|--|
| 1. PRODUCTS:<br>H:Housing                                 | 4. CONTACT TYPE:<br>P:Non Distribution       | 7. FILL IT WITH "0"                            |
| 2. SERIES NO.:<br>4030(Female Housing)                    | 5. ROW TYPE:<br>D: Dual Row<br>S: Single Row | 8. FILL IT WITH "0"                            |
| 3. CONTACT NO.:<br>02(1x2)-12(1x12P)<br>02(2x1)-24(2x12P) | 6. INSULATOR COLOR:<br>B:Black               | 9. BODY OPTION:<br>0:With Ear<br>1:Without Ear |

### 1 H4030-XXPDB00XR - MICRO-FIT 3.0 FEMALE HOUSING DUAL ROW 2XXXP W/O EAR BLACK

**Features:**

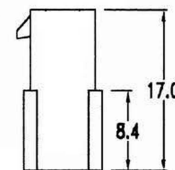
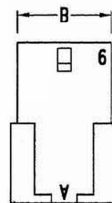
- Available in 2 thru 24 circuits
- Material: UL 94V-0 nylon
- Standard color: Black
- Recommended panel thickness: 1.57mm



**Specifications:**

- Current rating:
 

Wire size	# 20	# 22	# 24	# 26	# 28	# 30
Ampere	5 A	5 A	4 A	3 A	2 A	1 A
- Voltage rating: 250V AC(RMS) or DC
- Insulation resistance: 1000mΩ Min.
- Dielectric strength: 1500V AC/minute
- Temperature rise: 30°C max. (carry rated current load)

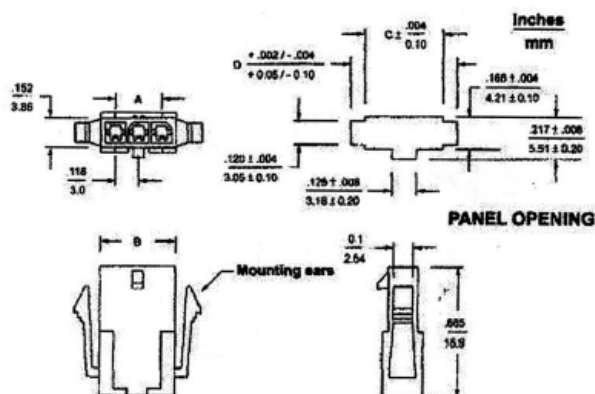


**Dimensional Information**

Circuits	Dim. A	Dim. B	Circuits	Dim. A	Dim. B
2	4.0	14	18	22.0	22.0
4	7.0	18	21	25.0	25.0
6	10.0	18	24	28.0	28.0
8	13.0	20	27	31.0	31.0
10	16.0	22	30	34.0	34.0
12	19.0	24	33	37.0	37.0

### 2 H4030-XXPSB000R - 3.0mm CRIMP TERMINAL HOUSING

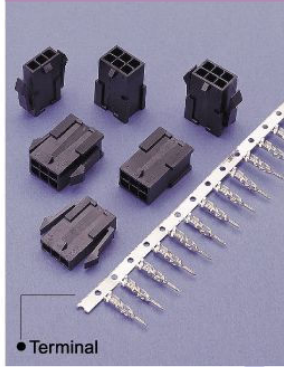
- Available in 2 thru 12 circuits
- Standard color: Black
- Accepts T4030 series terminals
- Recommended panel thickness: 1.57mm



**Dimensional Information - in ( mm )**

Circuits	Dim. A	Dim. B	Dim. C	Dim. D	Circuits	Dim. A	Dim. B	Dim. C	Dim. D
2	0.118 ( 3.0)	0.276 ( 7.0)	0.284 ( 7.21)	0.429 (10.90)	8	0.827 (21.0)	0.984 (25.0)	0.992 (25.20)	1.137 (28.88)
3	0.236 ( 6.0)	0.394 (10.0)	0.402 (10.21)	0.547 (13.89)	9	0.945 (24.0)	1.102 (28.0)	1.110 (28.20)	1.265 (31.88)
4	0.354 ( 9.0)	0.512 (13.0)	0.520 (13.21)	0.665 (16.89)	10	1.063 (27.0)	1.220 (31.0)	1.228 (31.22)	1.373 (34.87)
5	0.472 (12.0)	0.630 (16.0)	0.638 (16.21)	0.783 (19.89)	11	1.181 (30.0)	1.339 (34.0)	1.347 (34.22)	1.491 (37.87)
6	0.591 (15.0)	0.748 (19.0)	0.756 (19.21)	0.901 (22.89)	12	1.299 (33.0)	1.457 (37.0)	1.465 (37.22)	1.609 (40.87)
7	0.709 (18.0)	0.866 (22.0)	0.874 (22.20)	1.019 (25.88)					

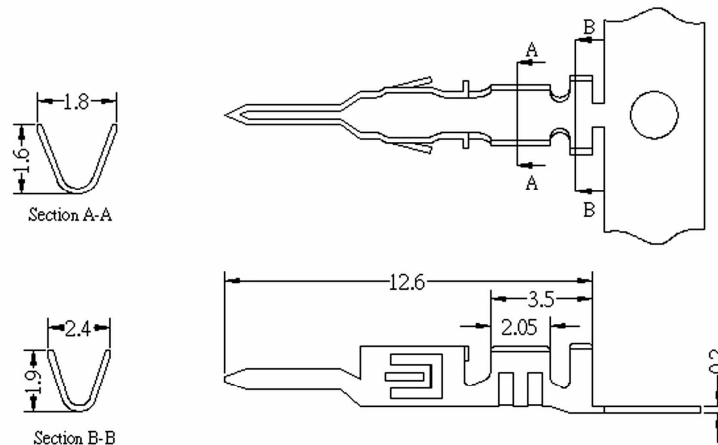
## T4030 Series 3.0mm Crimp Contacts



T	4030	—	T	B	I	0	0	0	0	0
1	2		3	4	5	6	7	8	9	10

- |  |   |  |
|--|---|--|
| <p>1. PRODUCTS:<br/>T: Terminal</p> <p>2. SERIES NO.:<br/>4030 (Male Terminal)</p> <p>3. CONTACT PLATING:<br/>T: Tin<br/>S: Selective Gold<br/>G: Gold Flash</p> | <p>4. MATERIAL:<br/>B: Brass<br/>P: Phosphor Bronze</p> <p>5. WIRE OPTION:<br/>G: Suitable For 20-24 Awg<br/>I: Suitable For 22-26 Awg<br/>N: Suitable For 26-30 Awg</p> <p>6. FILL IT WITH "0"</p> | <p>7. FILL IT WITH "0"</p> <p>8. FILL IT WITH "0"</p> <p>9. FILL IT WITH "0"</p> <p>10. FILL IT WITH "0"</p> |
|--|---|--|

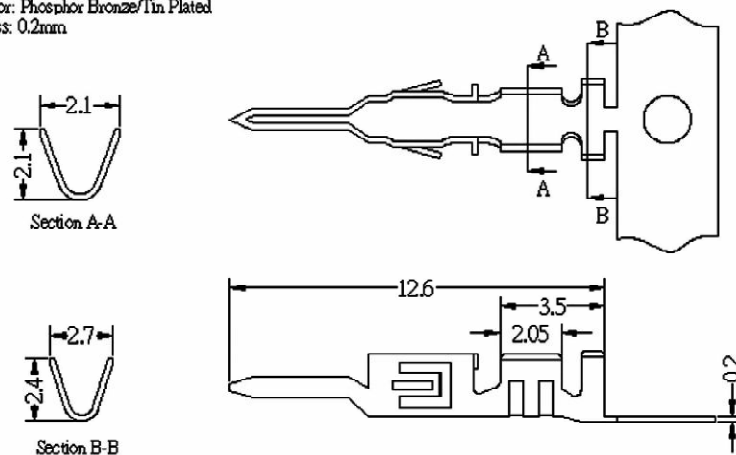
### 1 T4030-TPG0000R - MICRO-FIT 3.0mm FEMALE TERMINAL SUITABLE FOR 20~24AWG



Conductor: Phosphor Bronze/Tin Plated  
Thickness: 0.2mm

### 2 T4030-TPI0000R - MICRO-FIT 3.0mm MALE TERMINAL SUITABLE FOR 22~26AWG

Conductor: Phosphor Bronze/Tin Plated  
Thickness: 0.2mm



### 3 T4030-TPX00000R - 3.0mm CRIMP TERMINAL

#### Features:

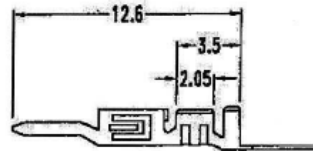
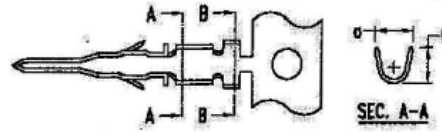
- Material: Phosphor bronze
- Finished: Tin-plated or Gold flash
- Used in H4030 series housing
- Wire range: #20 ~ #30 AWG
- Thickness: 0.2mm

#### Specifications:

##### Current rating:

Wire size	# 20	# 22	# 24	# 26	# 28	# 30
Ampere	5 A	5 A	4 A	3 A	2 A	1 A

- Voltage rating: 250V AC(RMS) or DC
- Contact resistance: 10mΩ max.
- Dielectric strength: 1500V AC/minute
- Temperature rise: 30°C max.  
(carry rated current load)



Finished	Wire size	Dim. a	Dim. b	Dim. c	Dim. d
Tin-plated	#26 ~ #30 AWG	1.8	1.6	2.4	1.9
	#20 ~ #24 AWG	2.1	2.1	2.7	2.4
Gold flash	#26 ~ #30 AWG	1.8	1.6	2.4	1.9
	#20 ~ #24 AWG	2.1	2.1	2.7	2.4

ELECTRONIC  
COMPONENTS