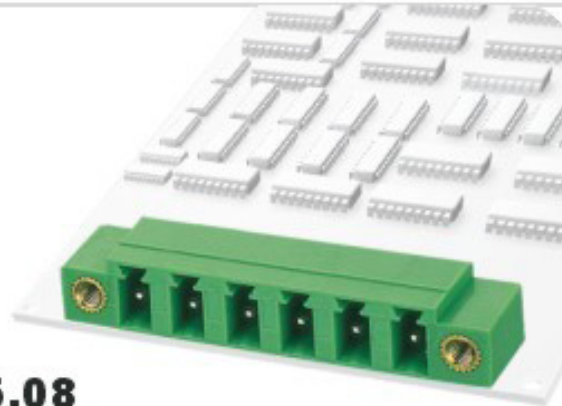


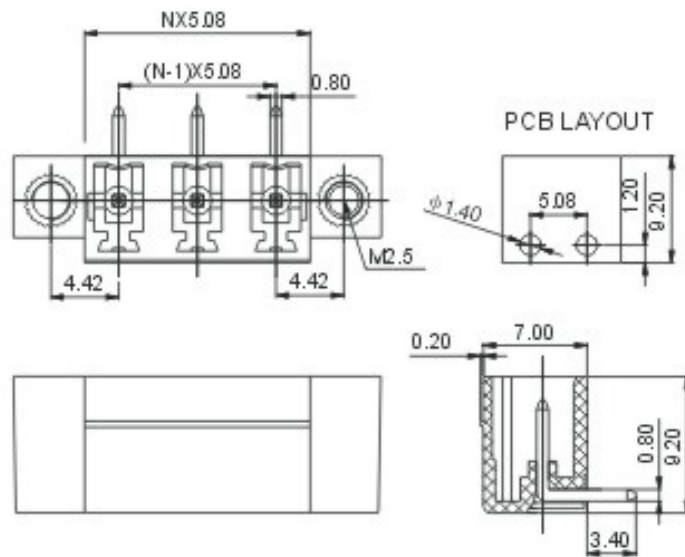


# DEGSON ELECTRONICS CO., LTD.

## Product Specification

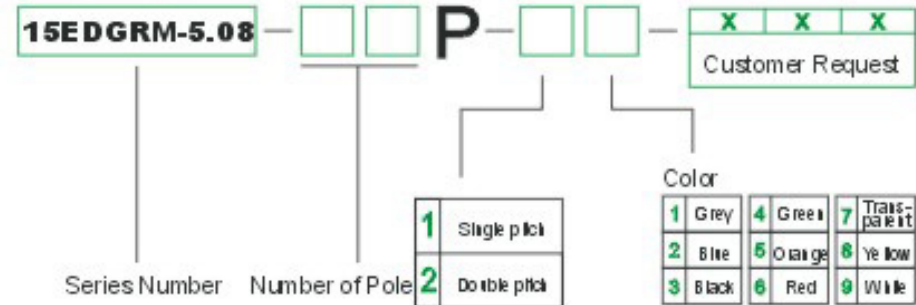


**15EDGRM-5.08**



<b>Approval</b>		
<b>Electrical</b>		
Standard	UL	IEC
Rated voltage	300V	250V
Rated current	8A	7A
With standing voltage	AC2000V/1Min	
<b>Mechanical</b>		
Ambient temperature	-40°C~+105°C	
<b>Dimensions</b>		
Pitch	5.08mm(.200")	
Poles	2P-12P	
<b>Material</b>		
Housing	PA66, UL94V-0	
Pin header	Brass, Tin plated	
Nut	M2.5, Brass	

### HOW TO ORDER



	<b>DEGSON ELECTRONICS CO., LTD.</b>
	NAME <b>15EDGRM-5.08</b>