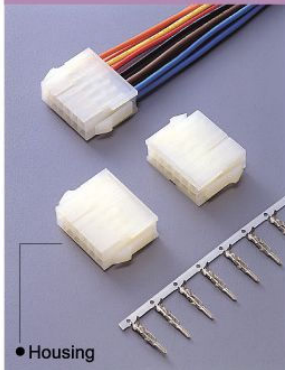


H5050 Series 4.2mm Crimp Terminal Housing



H	5050	—	12	P	D	W	0	0	0
2			3	4	5	6	7	8	9

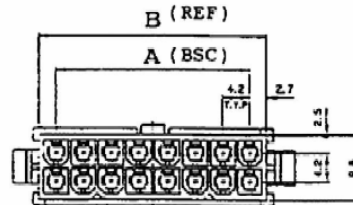
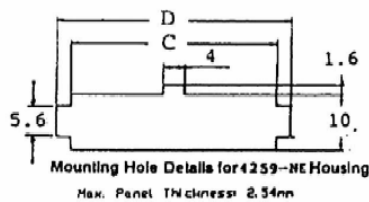
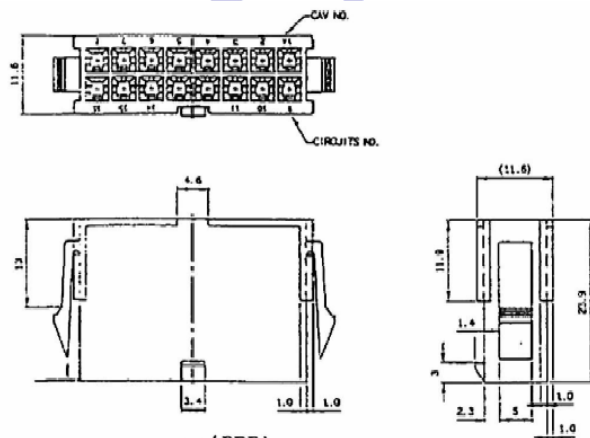
- | | | |
|--|--|--|
| 1. PRODUCTS:
H:Housing | 4. CONTACT TYPE:
P:Non Distribution | 7. BODY OPTION:
0:With Ear
A:W/O Ear |
| 2. SERIES NO.:
5050(Female Housing) | 5. ROW TYPE:
D: Dual Row
S: Single Row | 8. FILL IT WITH"0" |
| 3. CONTACT NO. :
02(1x2)-12(1x12)
02(2x1)-24(2x12) | 6. INSULATOR COLOR:
W:White | 9. MATERIAL:
0:Nylon 66 UL 94V-2
1:Nylon 66 UL 94V-0 |

1 H5050-XXPDW000R MINI FIT 4.2mm FEMALE HOUSING

- Features:
- * Available in 2 thru 24 circuit housing
 - * Voltage rating 600V (R.M.S.)
 - * Current rating 9 Amps per circuit

- Specification:
- Material:
- * UL 94V-2 nylon 66

- Electrical:
- * Voltage rating: 600V AC/DC
 - * Current rating: 9A max
 - * Withstanding Voltage: 1500V AC for 60 seconds
 - * Insulation Resistance: 1000M ohms min
 - * Temperature Rise: 30°C max
 - * Storage Temperature Range: -40°C to 105°C



Dimensional Information (mm)

Circuits	Dim. A	Dim. B	Dim. C	Dim. D	Circuits	Dim. A	Dim. B	Dim. C	Dim. D	Circuits	Dim. A	Dim. B	Dim. C	Dim. D
2		5.4	5.8	10.8	10	18.8	22.2	22.0	27.0	18	33.0	39.0	33.4	41.4
4	4.2	9.8	10.0	15.0	12	21.0	26.4	26.8	31.8	20	37.8	43.2	43.8	48.0
6	8.4	13.8	14.2	19.2	14	25.2	30.6	31.0	36.0	22	42.0	47.4	47.8	52.0
8	12.6	18.0	18.4	23.4	16	29.4	34.8	35.2	40.2	24	46.2	51.6	52.0	57.0

ELECTRONIC COMPONENTS

2

H5050-XXPSW000R MINI FIT 4.2mm FEMALE HOUSING

Features:

- 2 ~ 6 circuits available
- Material: UL 94V-2 nylon
- Accepts 4257T terminal

Specification:

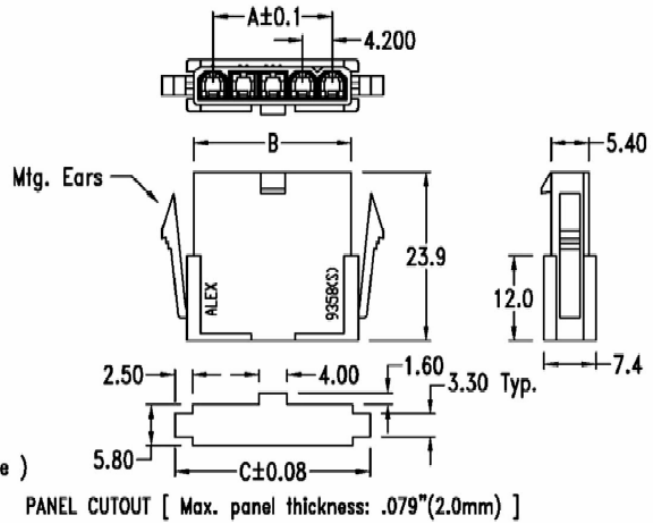
- Current rating: (Used with #18 AWG)

Circuits	2 ~ 3	4 ~ 6
Ampere	9	8

- Voltage rating: 600V (R.M.S.)
- Insulation resistance: DC 500V 1000M Ω min.
- Dielectric withstanding voltage: 1500V AC/minute
- Ambient temperature range: -40°C ~ 105°C
(Including temperature rise)

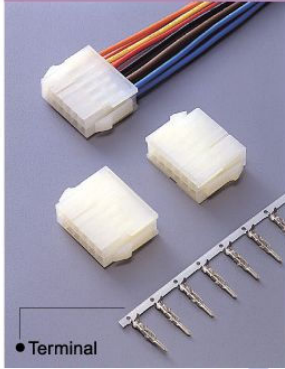
Dimensional Information (mm)

Circuits	Dim. A	Dim. B	Dim. C
2	4.2	9.6	15.0
3	8.4	13.8	19.2
4	12.6	18.0	23.4
5	16.8	22.2	27.6
6	21.0	26.4	31.8



ELECTRONIC
COMPONENTS

T5050 Series 4.2mm Crimp Contacts

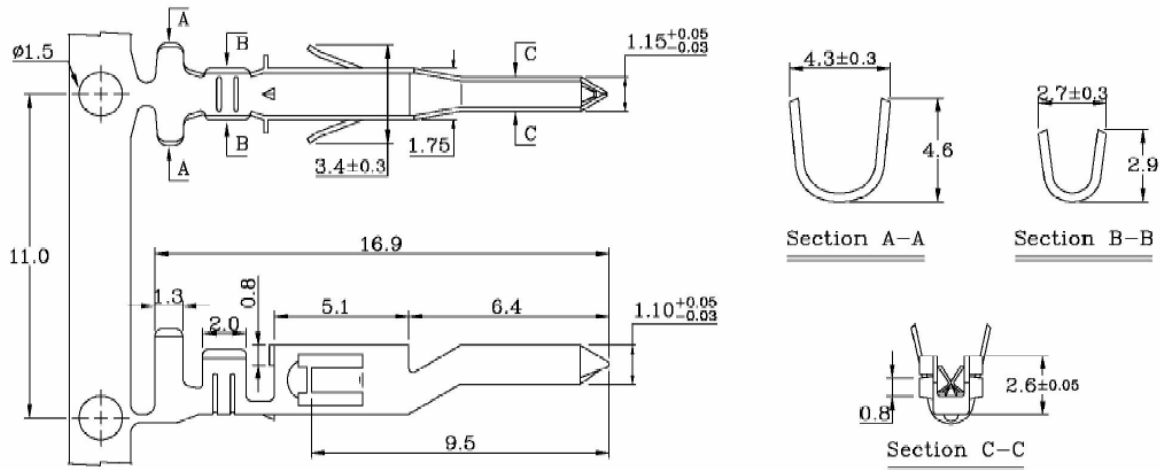


T **5050** — **T** **B** **D** **0** **0** **0** **0** **0**

1 2 3 4 5 6 7 8 9 10

- | | | |
|---|---|--|
| <p>1. PRODUCTS:
T:Terminal</p> <p>2. SERIES NO.:
5050(Male Terminal)</p> <p>3. CONTACT PLATING:
T:Tin
S:Selective Gold
G:Gold Flash</p> | <p>4. MATERIAL:
B:Brass</p> <p>5. WIRE OPTION:
D:Suitable For 18-22 Awg
H:Suitable For 22-24 Awg
W:Suitable For 14-22 Awg</p> <p>6. FILL IT WITH"0"</p> | <p>7. FILL IT WITH"0"</p> <p>8. FILL IT WITH"0"</p> <p>9. FILL IT WITH"0"</p> <p>10. FILL IT WITH"0"</p> |
|---|---|--|

1
T5050-TBD00000R
4.2mm TERMINAL MALE BRASS TIN PLATED 16AWG



Specifications & Ordering Information:

Part No	Thickness	Material	Wire Range	Insulation O.D.	Finish	Qty/reel
T5050-TBD00000R	0.2	Brass	AWG #16	3.1 mm	Pre. Tin-Plated	5,000PCS

ELECTRONIC
COMPONENTS