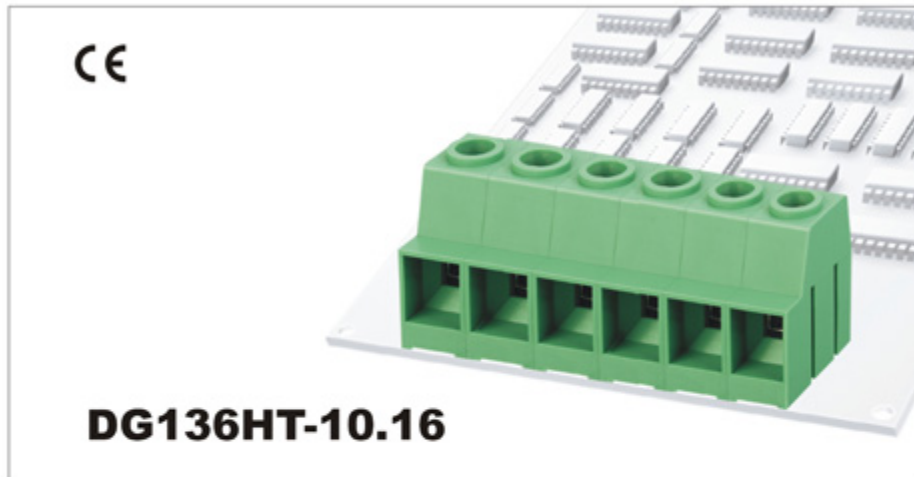




# DEGSON ELECTRONICS CO., LTD.

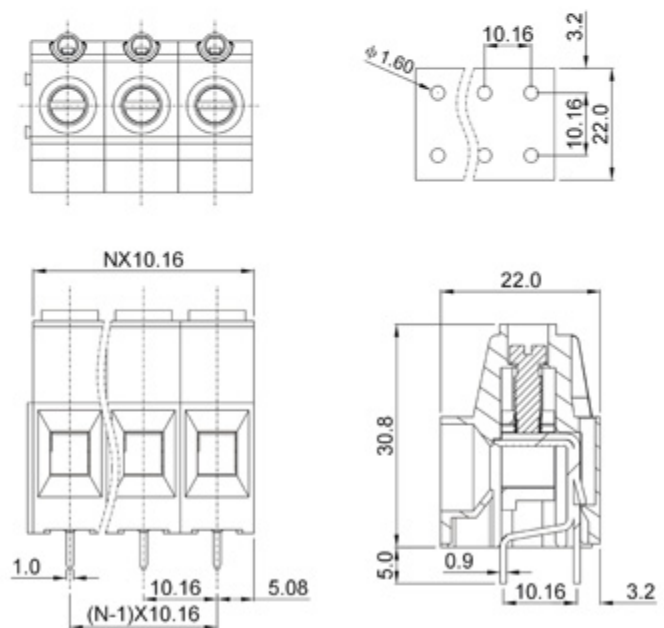
## Product Specification



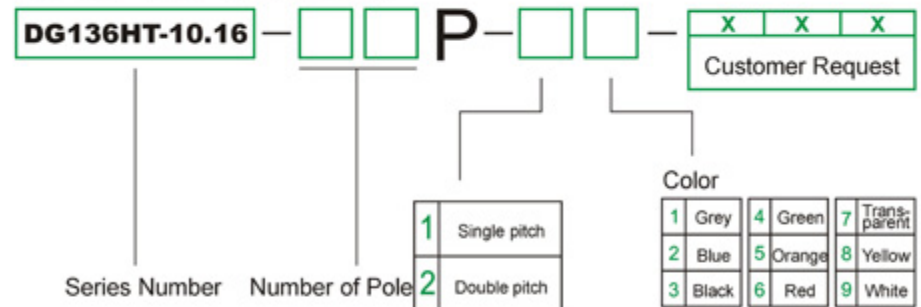
<b>Approval</b>	CE	
<b>Electrical</b>		
Standard	UL	IEC
Rated voltage	600V	750V
Rated current	50A	57A
Wire range	20-6AWG	2.5-16.0mm <sup>2</sup>
With standing voltage	AC3000V/1Min	

<b>Mechanical</b>		
Torque	1.2Nm(10.5Lb-In.)	
Ambient temperature	-40°C~+105°C	
Strip length	10mm	
<b>Dimensions</b>		
Pitch	10.16mm(.400")	
Poles	1P-24P	

<b>Material</b>		
Housing	PA66, UL94V-0	
Screws	M4, Brass, Ni plated	
Pin header	Copper, Tin plated	
Cage	Brass, Ni plated	



### HOW TO ORDER



MM (INCH)	<b>DEGSON ELECTRONICS CO., LTD.</b>
<b>THIRD ANGLE PROJECTION</b>	NAME <b>DG136HT-10.16</b>