

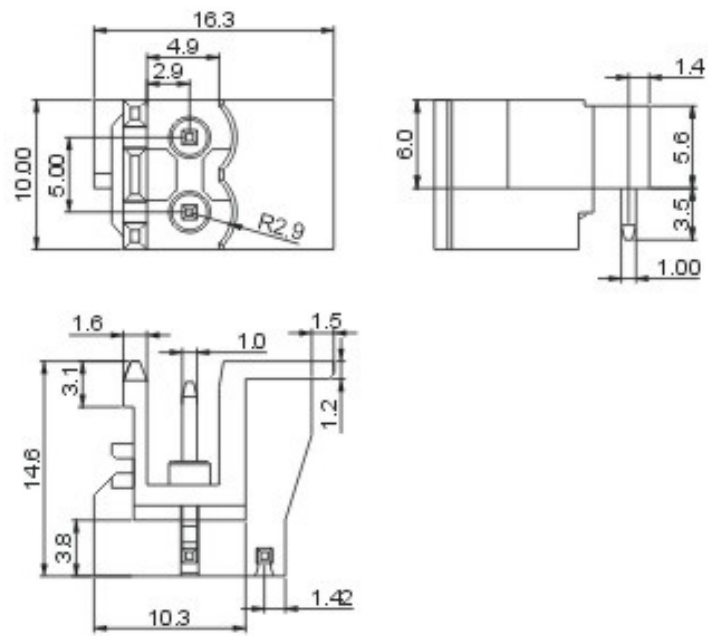


DEGSON ELECTRONICS CO., LTD.

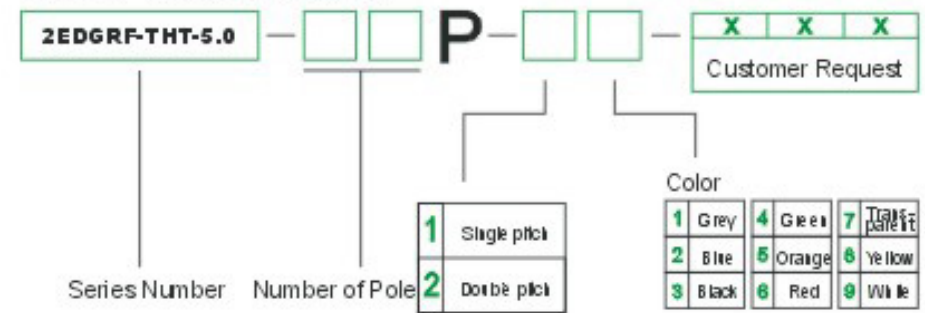
Product Specification



Approval	CE	
Electrical		
Standard	UL	IEC
Rated voltage	300V	320V
Rated current	15A	20A
With standing voltage	AC 2500V/1 Min	
Mechanical		
Ambient temperature	-40°C~+140°C	
Dimensions		
Pitch	5.0mm (.197")	
Poles	2P-4P	
Material		
Housing	PA46, UL94V-0	
Pin header	Brass, Tin plated	



HOW TO ORDER



	DEGSON ELECTRONICS CO., LTD.
	NAME 2EDGRF-THT-5.0