



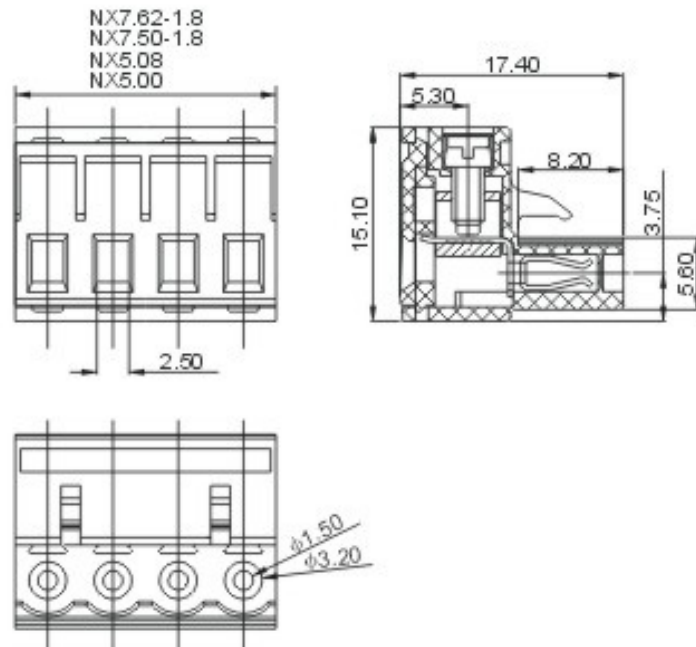
# DEGSON ELECTRONICS CO., LTD.

## Product Specification



**2EDGK-5.0**  
**2EDGK-5.08**

**2EDGK-7.5**  
**2EDGK-7.62**



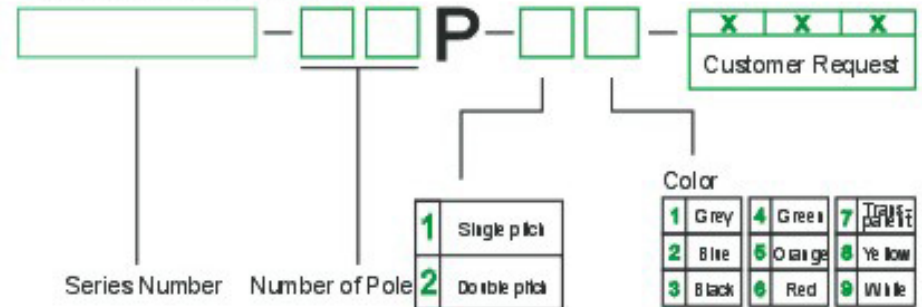
Approval		
<b>Electrical</b>		
Standard	UL	IEC
Rated voltage	300V	320V, 400V
Rated current	15A	20A
Wire range	28-12AWG	2.5mm <sup>2</sup>
With standing voltage	AC2500V/1Min	

<b>Mechanical</b>	
Torque	0.4Nm(3.5Lb-In.)
Ambient temperature	-40°C~+105°C
Strip length	7mm

<b>Dimensions</b>	
Pitch	5.0mm(.197")/7.5mm(.295") 5.08mm(.200")/7.62mm(.300")
Poles	2P-24P 2P-12P

<b>Material</b>	
Housing	PA66, UL94V-0
Screws	M2, steel, Cr <sup>III</sup> Znplated
Contact	Phosphor bronze
Wire guard	Brass, Ni plated

### HOW TO ORDER



 MM (INCH)	 <b>DEGSON ELECTRONICS CO., LTD.</b>
 THIRD ANGLE PROJECTION	NAME <b>2EDGK-5.0</b> <b>2EDGK-7.5</b> <b>2EDGK-5.08</b> <b>2EDGK-7.62</b>