



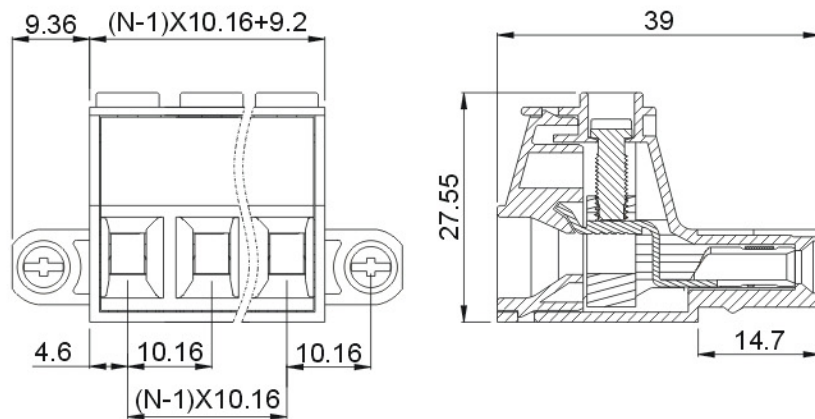
DEGSON ELECTRONICS CO., LTD.

Product Specification

CE in the course of application



5EDGKM-10.16

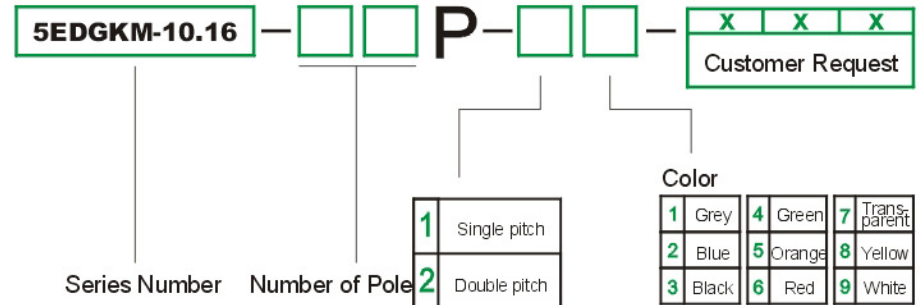


Approval	in the course of application		CE
Electrical			
Standard	UL		IEC
Rated voltage	600V		1000V
Rated current	30A		41A
Wire range	20-7AWG		6.0mm ²
With standing voltage	AC3500V/1Min		

Mechanical			
Torque	1.2Nm(10.5Lb-In.)		
Ambient temperature	-40°C~+105°C		
Strip length	12mm		
Dimensions			
Pitch	10.16 mm(.400")		
Poles	2P-9P		

Material			
Housing	PA66, UL94V-0		
Screws	M4, steel, Cr ³⁺ Zn plated		
Contact	Copper		
Cage	Brass, Ni plated		

HOW TO ORDER



		DEGSON ELECTRONICS CO., LTD.
	NAME	5EDGKM-10.16