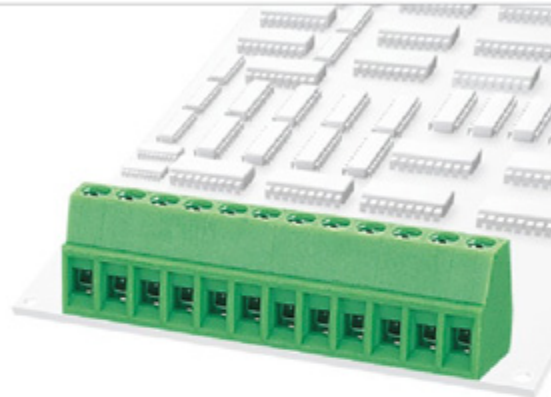


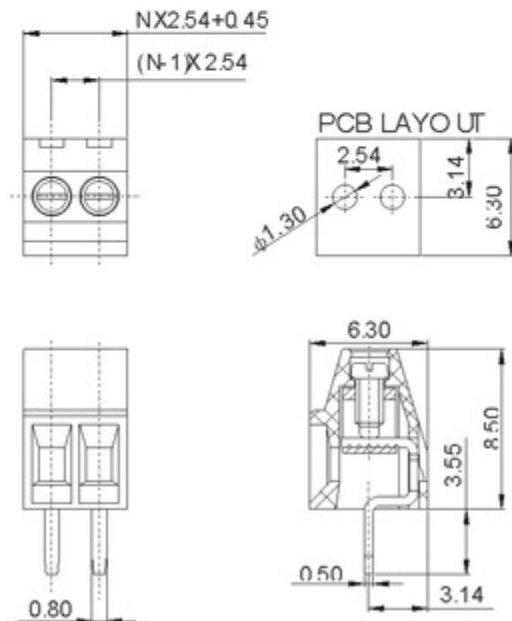


DEGSON ELECTRONICS CO., LTD.

Product Specification



DG308-2.54

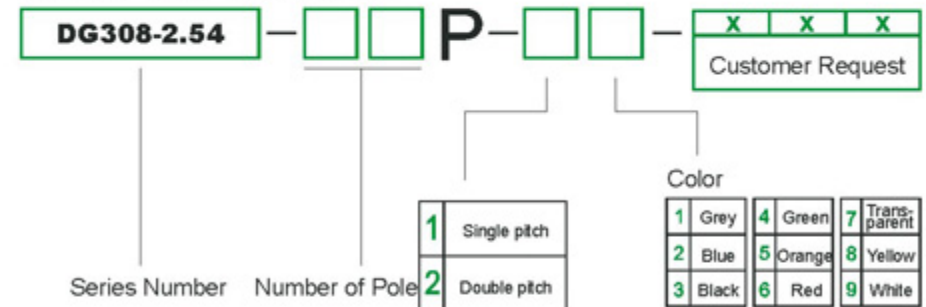


Approval		
Electrical		
Standard	UL	IEC
Rated voltage	150V	130V
Rated current	6A	8A
Wire range	26-18AWG	1.0mm ²
With standing voltage	AC1250V/1Min	

Mechanical	
Torque	0.1Nm(0.89Lb-In.)
Ambient temperature	-40°C~+105°C
Strip length	4.5mm
Dimensions	
Pitch	2.54mm(.100")
Poles	2P-20P

Material	
Housing	PA66, UL94V-0
Screws	M1.6, steel, Cr ³⁺ Zn plated
Pin header	Brass, Tin plated
Cage	Brass, Ni plated

HOW TO ORDER



	DEGSON ELECTRONICS CO., LTD.
	NAME DG308-2.54