

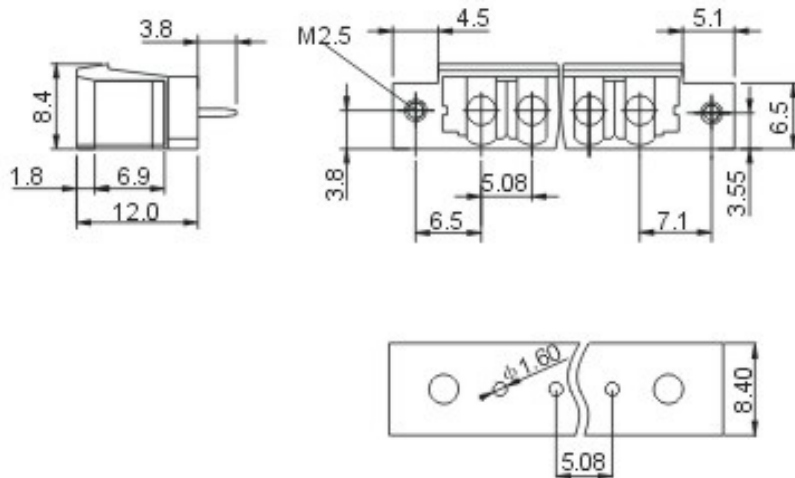


DEGSON ELECTRONICS CO., LTD.

Product Specification

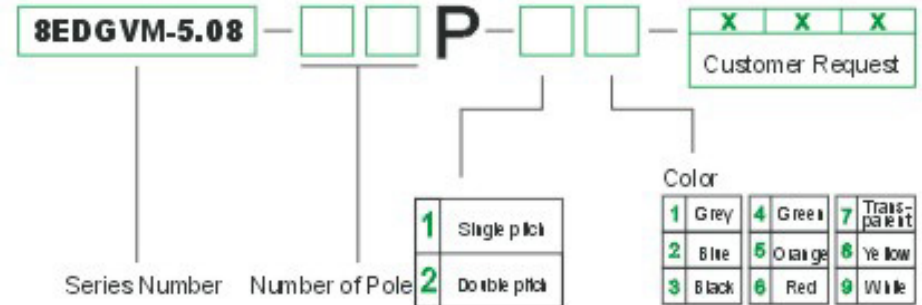


Approval	CE	
Electrical		
Standard	UL	IEC
Rated voltage	300V	320V
Rated current	15A	20A
With standing voltage	AC2500V/1Min	
Mechanical		
Ambient temperature	-40°C~+105°C	
Dimensions		
Pitch	5.08mm (.200")	
Poles	2P-22P	
Material		
Housing	PA66, UL94 V-0	
Pin header	Brass, Tin plated	
Nut	M2.5, Brass	



PCB LAYOUT

HOW TO ORDER



	DEGSON ELECTRONICS CO., LTD.
	NAME 8EDGVM-5.08