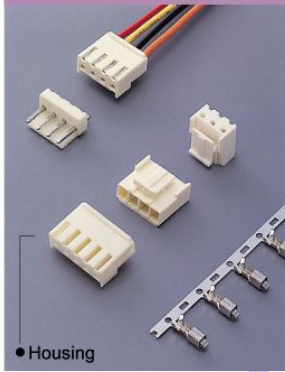


H3967 Series 3.96mm Crimp Terminal Housing



| | | | | | | | | | |
|----------|-------------|---|-----------|----------|----------|----------|----------|----------|----------|
| H | 3967 | — | 02 | P | W | 0 | 0 | 0 | 0 |
| 1 | 2 | | 3 | 4 | 5 | 6 | 7 | 8 | 9 |

1. PRODUCTS:
H:Housing

2. SERIES NO.:
3967

3. CONTACT NO.:
02-15

4. CONTACT TYPE:
P:Non Distribution

5. INSULATOR COLOR:
W:White

6. FILL IT WITH "0"

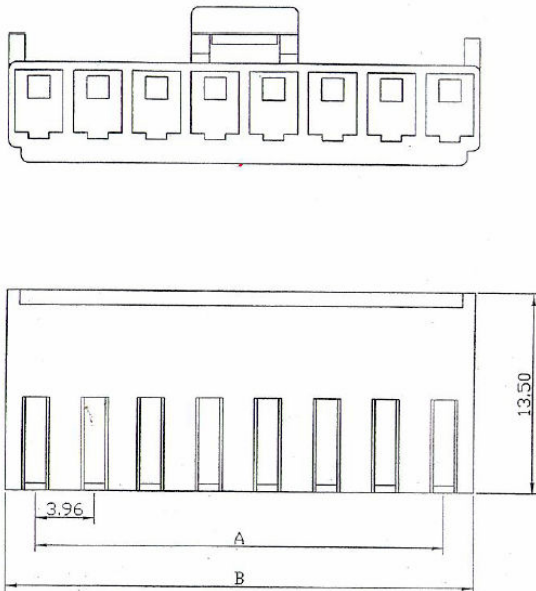
7. FILL IT WITH "0"

8. FILL IT WITH "0"

9. FILL IT WITH "0"

1

H3967-XXPW0000R 3.96mm HOUSING WHITE



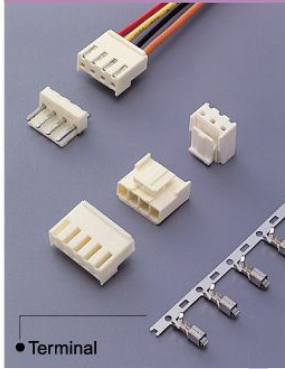
Specifications

Current Rating: 5A AC, DC
Voltage Rating: 250V AC Maximum
Operating Temp: -25°C ~ +85°C
Contact Resistance: 10mΩ Max
Insulation Resistance: 1000MΩ Min
Terminal Material: Brass/Tin-plated
Material: Nylon 66, UL94V-0

| Poles | Dimension mm (in.) | | Part No. | Note. |
|-------|--------------------|---------------|----------|-------|
| | A | B | | |
| 2 | 3.95 (0.156) | 8.04 (0.317) | | |
| 3 | 7.92 (0.312) | 12.10 (0.476) | | |
| 4 | 11.88 (0.468) | 15.96 (0.628) | | |
| 5 | 15.84 (0.624) | 20.00 (0.787) | | |
| 6 | 19.80 (0.780) | 23.96 (0.941) | | |
| 7 | 23.76 (0.935) | 27.90 (1.098) | | |
| 8 | 27.72 (1.074) | 31.86 (1.254) | | |
| 9 | 31.68 (1.247) | 35.88 (1.413) | | |
| 10 | 35.64 (1.403) | 39.84 (1.569) | | |
| 11 | 39.60 (1.559) | 43.74 (1.722) | | |
| 12 | 43.56 (1.715) | 47.74 (1.880) | | |
| 13 | 47.52 (1.871) | 51.70 (2.035) | | |
| 14 | 51.48 (2.027) | 55.66 (2.191) | | |

ELECTRONIC
COMPONENTS

T3967 Series 3.96mm Crimp Contacts



| | | | | | | | | | | |
|----------|-------------|---|----------|----------|----------|----------|----------|----------|----------|----------|
| T | 3967 | — | T | B | D | 0 | 0 | 0 | 0 | 0 |
| 1 | 2 | | 3 | 4 | 5 | 6 | 7 | 8 | 9 | 10 |

1. PRODUCTS:
T:Terminal

2. SERIES NO.:
3967

3. CONTACT PLATING:
T: Tin
S: Selective Gold
G: Gold Flash

4. MATERIAL:
B: Brass
P: Phosphor Bronze

5. WIRE OPTION:
D: Suitable For 18-22 Awg

6. FILL IT WITH "0"

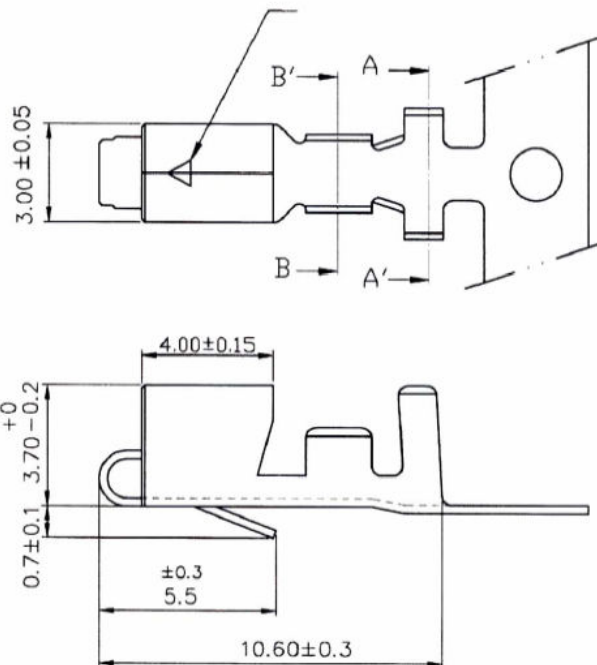
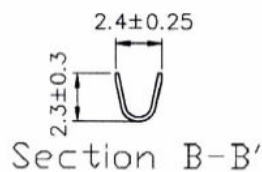
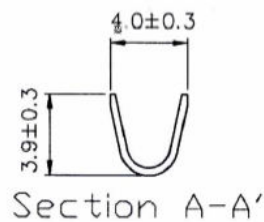
7. FILL IT WITH "0"

8. FILL IT WITH "0"

9. FILL IT WITH "0"

10. FILL IT WITH "0"

1

T3967-TBD00000R**VH3.96mm TERMINAL BRASS MATERIAL FOR 18~22AWG**

THICKNESS: 0.25mm

MAT' BRASS , PHOSPHOR BRONZE TIN PLATED

CURRENT RATING: 5A AC, DC

VOLTAGE RATING: 250V AC DC

APPLICABLE WIRE RANGE: AWG#18-22

ELECTRONIC
COMPONENTS