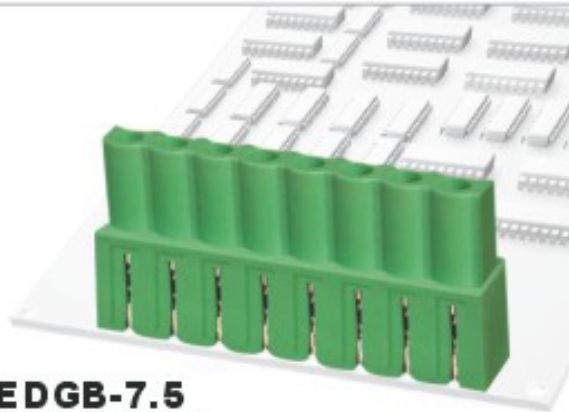




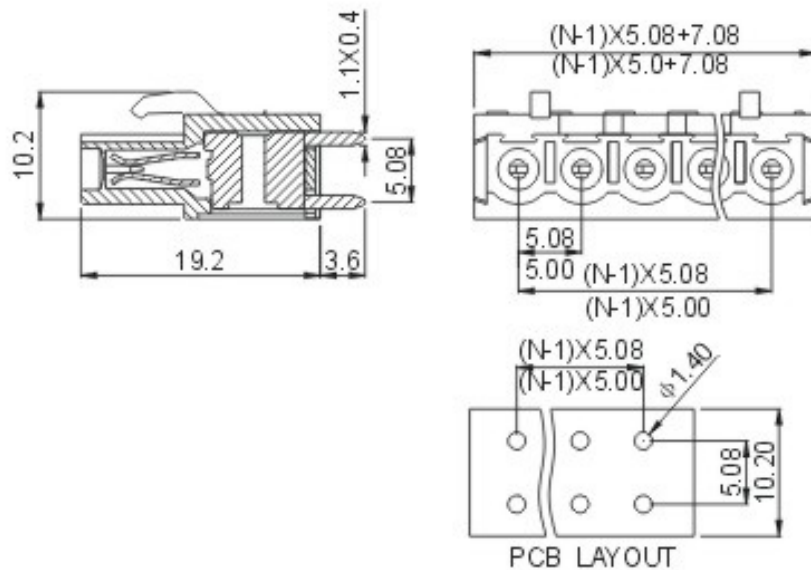
DEGSON ELECTRONICS CO., LTD.

Product Specification

CE

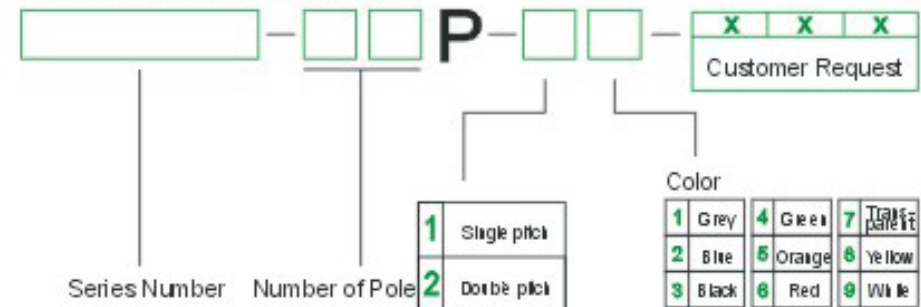


2EDGB-5.0 2EDGB-7.5
2EDGB-5.08 2EDGB-7.62



Approval	CE	
Electrical		
Standard	UL	IEC
Rated voltage	300V	320V, 400V
Rated current	15A	20A
With standing voltage	AC 2500V/1 Min	
Mechanical		
Ambient temperature	-40°C ~ +105°C	
Dimensions		
Pitch	5.0mm (.197") 5.08mm (.200") 5.5mm (.215") 5.62mm (.221")	
Poles	2P-24P	2P-12P
Material		
Housing	PA66, UL94V-0	
Contact	Phosphor bronze, Tin plated	

HOW TO ORDER



 	 DEGSON ELECTRONICS CO., LTD.
NAME	2EDGB-5.0 2EDGB-7.5 2EDGB-5.08 2EDGB-7.62