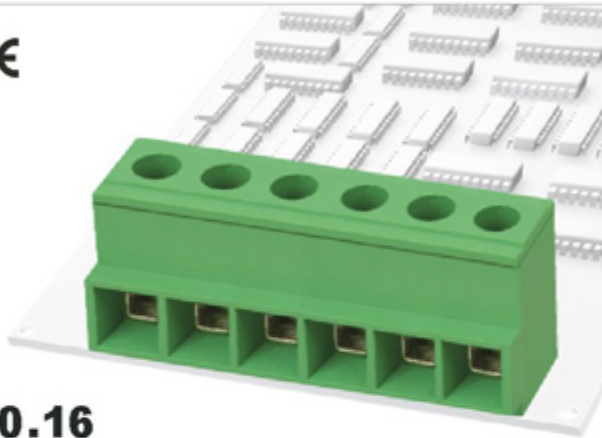


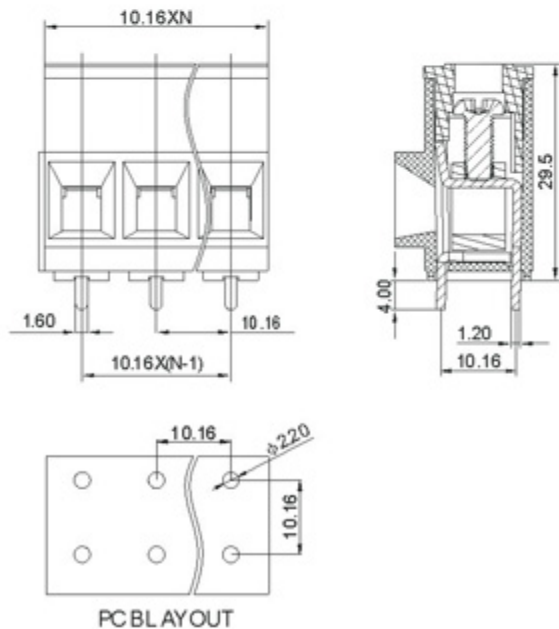


# DEGSON ELECTRONICS CO., LTD.

## Product Specification



**DG135T-10.16**

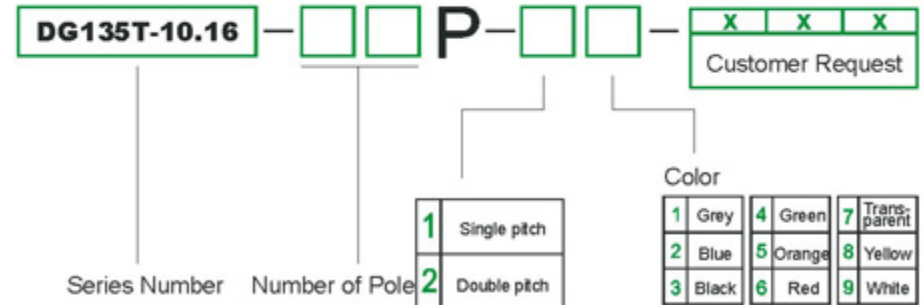


<b>Approval</b>		
<b>Electrical</b>		
Standard	UL	IEC
Rated voltage	300V	750V
Rated current	52A	57A
Wire range	20-6AWG	10.0mm <sup>2</sup>
With standing voltage	AC3000V/1Min	

<b>Mechanical</b>	
Torque	1.2Nm(10.5Lb-In.)
Ambient temperature	-40°C~+105°C
Strip length	10mm
<b>Dimensions</b>	
Pitch	10.16mm(.400")
Poles	2P,3P-24P

<b>Material</b>	
Housing	PA66, UL94V-0
Screws	M4, steel, Cr <sup>3+</sup> Zn plated
Pin header	Copper, Tin plated
Cage	Brass, Ni plated

### HOW TO ORDER



	<b>DEGSON ELECTRONICS CO., LTD.</b>
	NAME <b>DG135T-10.16</b>