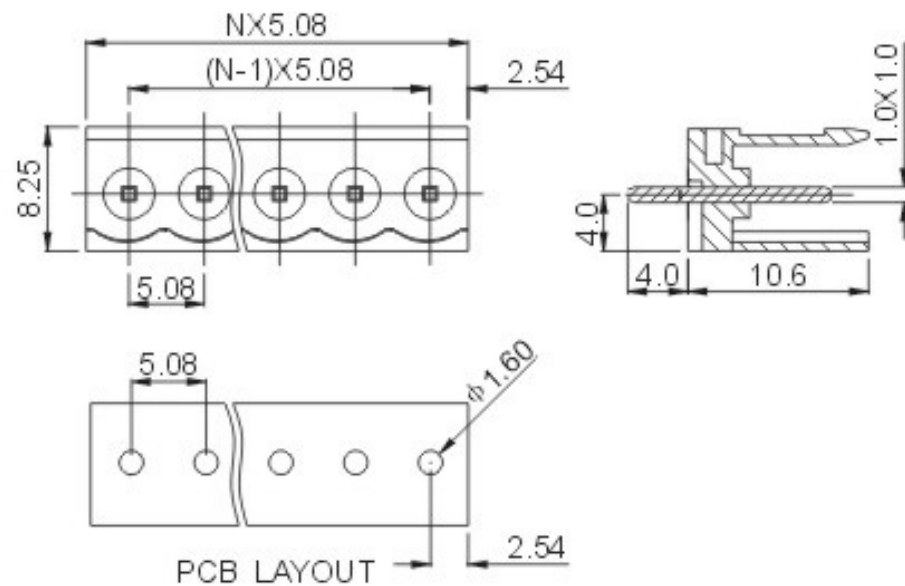




# DEGSON ELECTRONICS CO., LTD.

## Product Specification



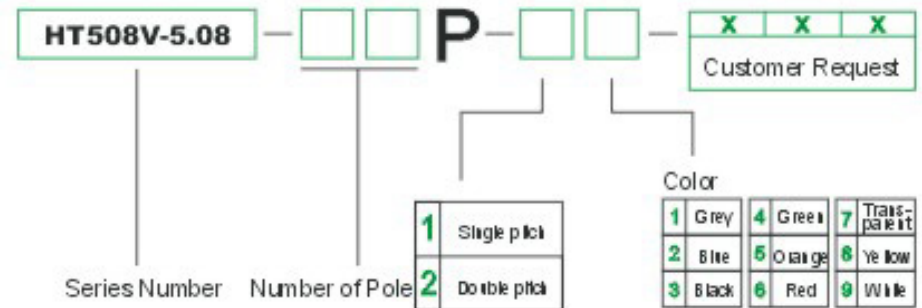
<b>Approval</b>	<b>CE</b>	
<b>Electrical</b>		
Standard	UL	IEC
Rated voltage	150V	320V
Rated current	12A	20A
With standing voltage	AC2500V/1Min	

<b>Mechanical</b>	
Ambient temperature	-40°C ~ +105°C

<b>Dimensions</b>	
Pitch	5.08mm (.200")
Poles	2P -24P

<b>Material</b>	
Housing	PA66, UL94 V-0
Pin header	Brass, Tin plated

### HOW TO ORDER



	<b>DEGSON ELECTRONICS CO., LTD.</b>
	<b>NAME</b> <b>HT508V-5.08</b>