

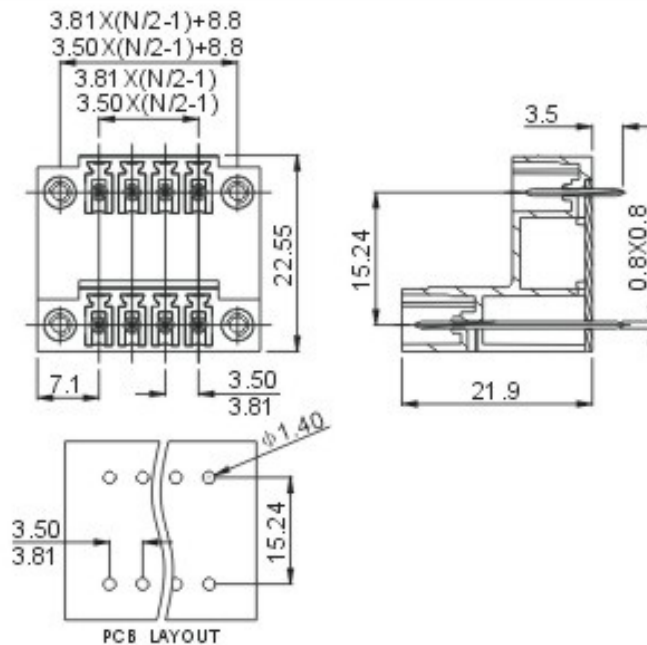


DEGSON ELECTRONICS CO., LTD.

Product Specification

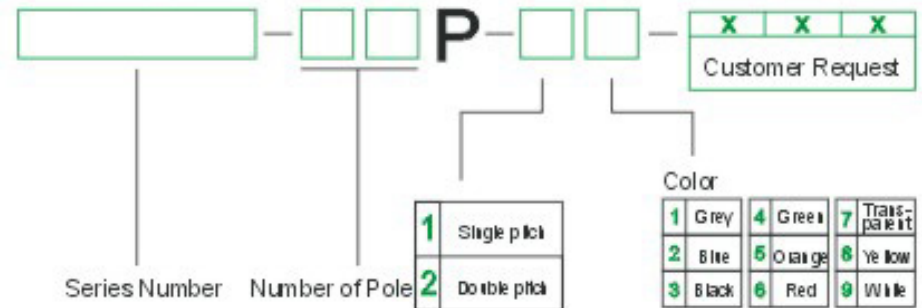


15EDGVTM-3.5
15EDGVTM-3.81



Approval		
Electrical		
Standard	UL	IEC
Rated voltage	300V	250V
Rated current	8A	7A
With standing voltage	AC2000V/1Min	
Mechanical		
Ambient temperature	-40°C ~ +105°C	
Dimensions		
Pitch	3.5mm (.138") 3.81mm (.150")	
Poles	2* (2P - 20P)	
Material		
Housing	PA66, UL94V-0	
Pin header	Brass, Tin plated	
Nut	M2.5, Brass	

HOW TO ORDER



	DEGSON ELECTRONICS CO., LTD.
	NAME 15EDGVTM-3.5 15EDGVTM-3.81