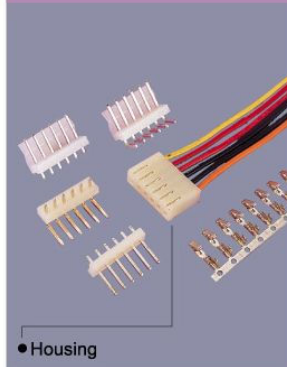


H2410 Series 3.96mm Crimp Terminal Housing



H	2410	—	02	P	Y	W	0	0	0
1	2		3	4	5	6	7	8	9

1. PRODUCTS:
H:Housing

2. SERIES NO.:
2410

3. CONTACT NO.:
02-20

4. CONTACT TYPE:
P:Non Distribution

5. BODY OPTION:
Y:With Locking Rib
N:Without Locking Rib

6. INSULATOR COLOR:
W:White
B:Black
E:Green
R:Red

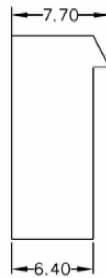
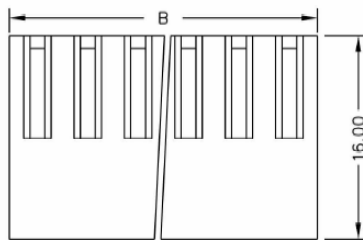
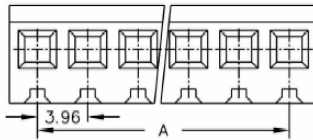
7. FILL IT WITH "0"

8. FILL IT WITH "0"

9. FILL IT WITH "0"

1

H2410-XXPYW000R MX3.96mm HOUSING WITH LOCKING RIB



SPECIFICATIONS

Electrical

Current Rating: 5A AC, DC
Voltage Rating: 250V AC, DC
Operating Temp.: -25°C ~ +85°C
Insulation Resistance: 1000mΩ/ min.
Dielectric Withstanding Voltage: 1500V AC/ min.
Contact Resistance: 10mΩ/ max.

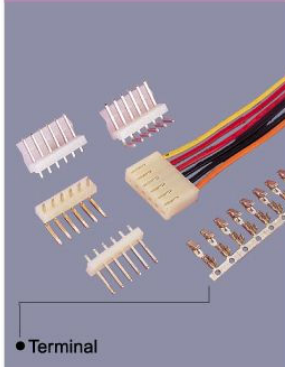
Material

Material: Nylon66, UL94V-2

Poles	Dimension mm (in.)	
	A	B
2	3.96	8.45
3	7.92	12.39
4	11.88	16.35
5	15.84	20.31
6	19.80	24.27
7	23.76	28.23
8	27.72	32.19
9	31.68	36.15
10	35.64	40.11
11	39.60	44.07
12	43.56	48.03
13	47.52	51.99
14	51.48	55.95
15	55.44	59.91
16	59.40	63.87
17	63.36	67.83
18	67.32	71.79
20	75.28	79.71

ELECTRONIC
COMPONENTS

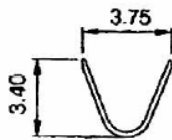
T2410 Series 3.96mm Crimp Contacts



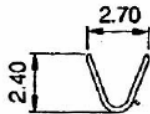
T	2410	—	T	B	E	0	0	0	0	0
1	2		3	4	5	6	7	8	9	10

- | | | |
|---|---|--|
| <p>1. PRODUCTS:
T:Terminal</p> <p>2. SERIES NO.:
2410</p> <p>3. CONTACT PLATING:
T: Tin
S: Selective Gold
G: Gold Flash</p> | <p>4. MATERIAL:
B: Brass
P: Phosphor Bronze</p> <p>5. WIRE OPTION:
D: Suitable For 18-22 Awg
E: Suitable For 18-24 Awg</p> <p>6. FILL IT WITH "0"</p> | <p>7. FILL IT WITH "0"</p> <p>8. FILL IT WITH "0"</p> <p>9. FILL IT WITH "0"</p> <p>10. FILL IT WITH "0"</p> |
|---|---|--|

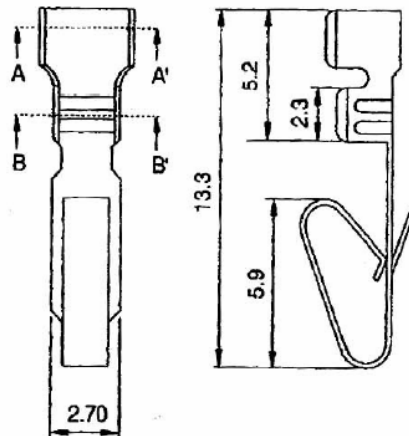
1

T2410-TBY00000R**3.96mm TERMINAL MATERIAL: BRASS SUITABLE FOR 16~20AWG**

Section A-A'



Section B-B'



Specifications & Ordering Information

THICKNESS	MATERIAL	WIRE RANGE	INSULATION O.D.	FINISH	QTY/REEL
0.25	BRASS	AWG #16~20	2.8mm	PRE-TIN-PLATED	6000 PCS

ELECTRONIC
COMPONENTS

2

T2410-TBE00000R MX 3.96mm TERMINAL FOR 18~24AWG

MATERIAL: BRASS
THICKNESS: 0.25

HARDNESS: SH

PLATING: TIN 40 μ m MIN

WIRE RANGE: (AWG) 18~24

INSULATION O.D.: 1.57 MAX.

FIRST INSERTION FORCE: 0.68KG MAX. PER CIRCUIT

SIXTH WITHDRAWAL FORCE: 0.113KG MIN. PER CIRCUIT

RATED VOLTAGE: AC/250V, DC/350V

RATED CURRENT: AC, DC, 3A

TEMPERATURE RANGE: -25°C TO +85°C

1. ELECTRICAL RATING: 5A, 250V

2. PULL FORCE: 18AWG = 20lbf
20-24AWG = 8lbf

DIMENSION: (MM)

T: 0.25 \pm 0.03

L: 13.7 \pm 0.3

E: 6.85 \pm 0.25

W: 1.8 \pm 0.15

W1: 2.7 \pm 0.15

TS: 3.5 \pm 0.25

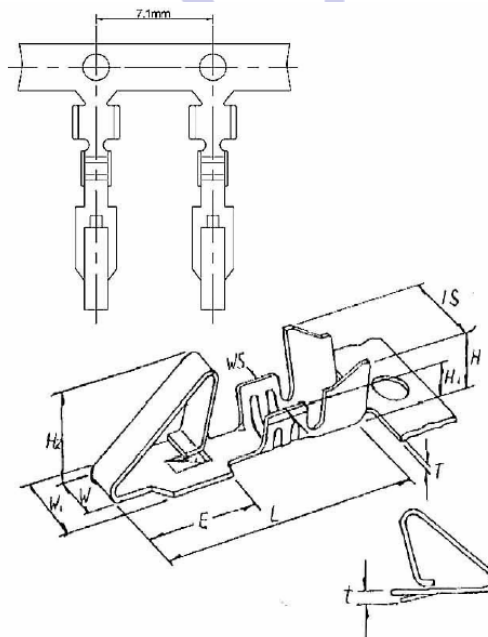
WS: 2.6 \pm 0.25

H: 3.5 \pm 0.25

H1: 2.6 \pm 0.25

H2: 4.5 \pm 0.3

t: 1.0 $^{+0.25}_{-0}$



RoHS Compliant

ELECTRONIC
COMPONENTS