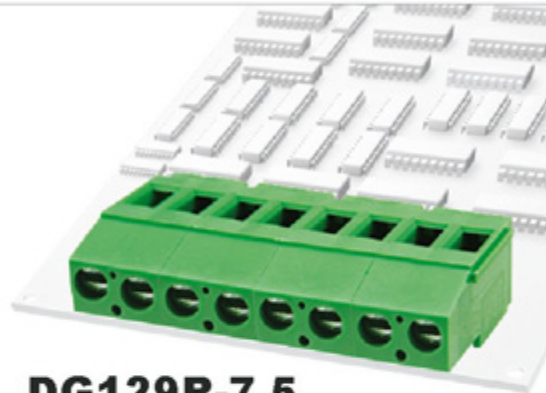


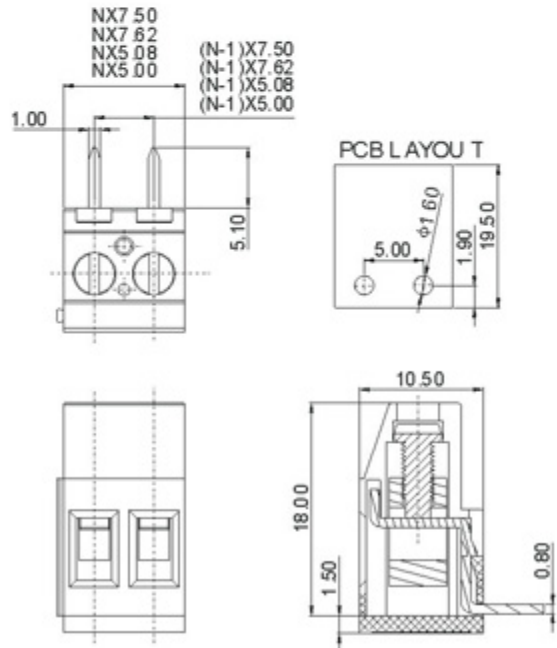


DEGSON ELECTRONICS CO., LTD.

Product Specification



DG129R-5.0 DG129R-7.5
DG129R-5.08 DG129R-7.62

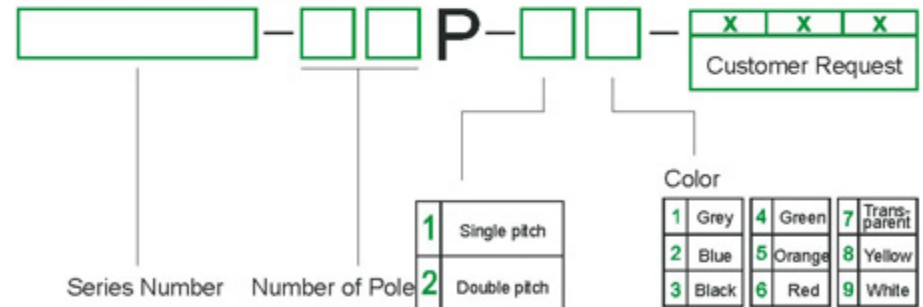


Approval		
Electrical		
Standard	UL	IEC
Rated voltage	300V	250V, 450V
Rated current	20A	20A
Wire range	26-12AWG	0.5-2.5mm ²
With standing voltage	AC2000V/1Min	

Mechanical	
Torque	0.5Nm(4.4Lb-In.)
Ambient temperature	-40°C~+105°C
Strip length	7mm
Dimensions	
Pitch	5.0mm(.197") 5.08mm(.200") 7.5mm(.295") 7.62mm(.300")
Poles	2P,3P-24P

Material	
Housing	PA66, UL94V-0
Screws	M3, steel, Cr ³⁺ Zn plated
Pin header	Brass, Tin plated
Cage	Brass, Ni plated

HOW TO ORDER



 	DEGSON ELECTRONICS CO., LTD. NAME DG129R-5.0 DG129R-7.5 DG129R-5.08 DG129R-7.62
------	--