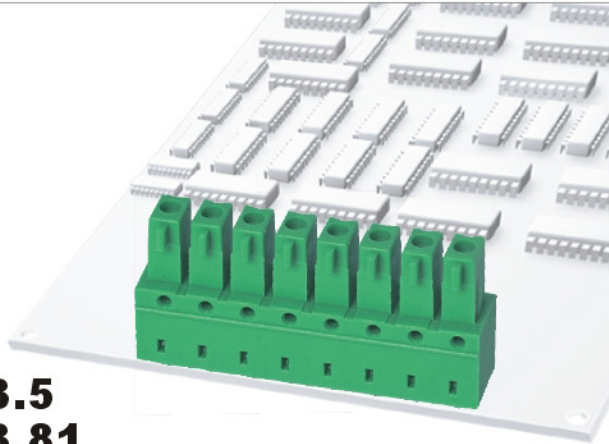




# DEGSON ELECTRONICS CO., LTD.

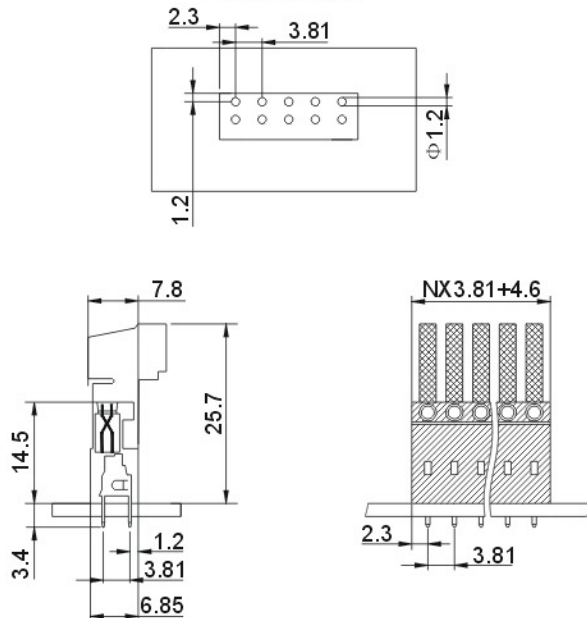
## Product Specification



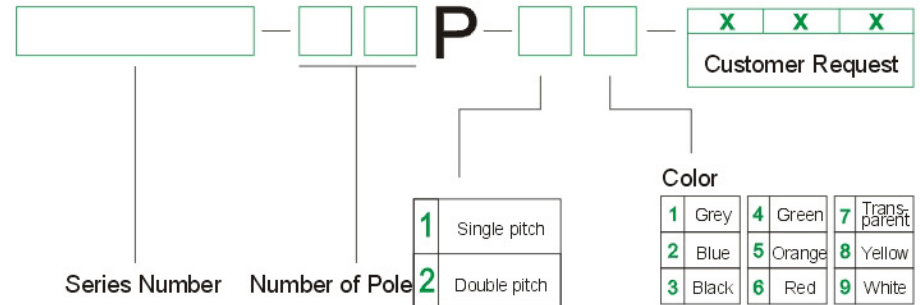
**15EDGB-3.5**  
**15EDGB-3.81**

<b>Approval</b>	in the course of application <b>CE</b>	
<b>Electrical</b>		
Standard	UL	IEC
Rated voltage	300V	250V
Rated current	8A	7A
With standing voltage	AC2000V/1Min	
<b>Mechanical</b>		
Ambient temperature	-40°C~+105°C	
<b>Dimensions</b>		
Pitch	3.5mm(.138") 3.81mm(.150")	
Poles	2P-24P	
<b>Material</b>		
Housing	PA66, UL94V-0	
Pin header	Phosphor bronze, Tin plated	

### PCB LAYOUT



### HOW TO ORDER



	<b>DEGSON ELECTRONICS CO., LTD.</b>
	NAME <b>15EDGB-3.5</b> <b>15EDGB-3.81</b>