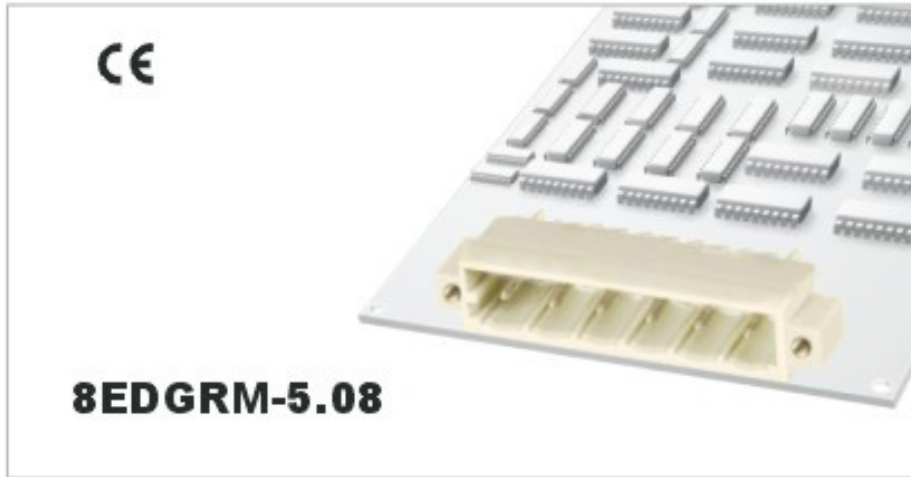


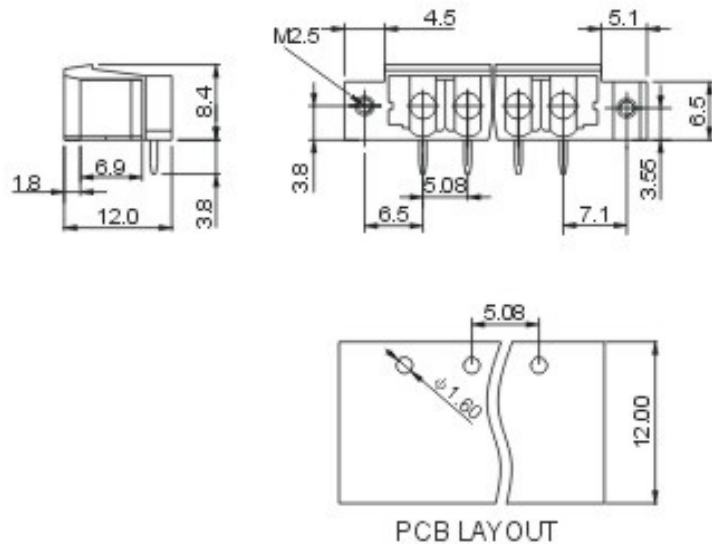


# DEGSON ELECTRONICS CO., LTD.

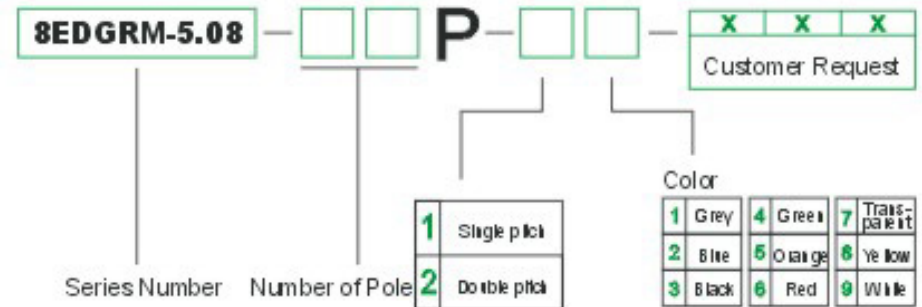
## Product Specification



<b>Approval</b>	CE	
<b>Electrical</b>		
Standard	UL	IEC
Rated voltage	300V	320V
Rated current	15A	20A
With standing voltage	AC2500V/1Min	
<b>Mechanical</b>		
Ambient temperature	-40°C ~ +105°C	
<b>Dimensions</b>		
Pitch	5.08mm (.200")	
Poles	2P - 22P	
<b>Material</b>		
Housing	PA66, UL94 V-0	
Pin header	Brass, Tin plated	
Nut	M2.5, Brass	



### HOW TO ORDER



	<b>DEGSON ELECTRONICS CO., LTD.</b>
	<b>NAME</b> <b>8EDGRM-5.08</b>