

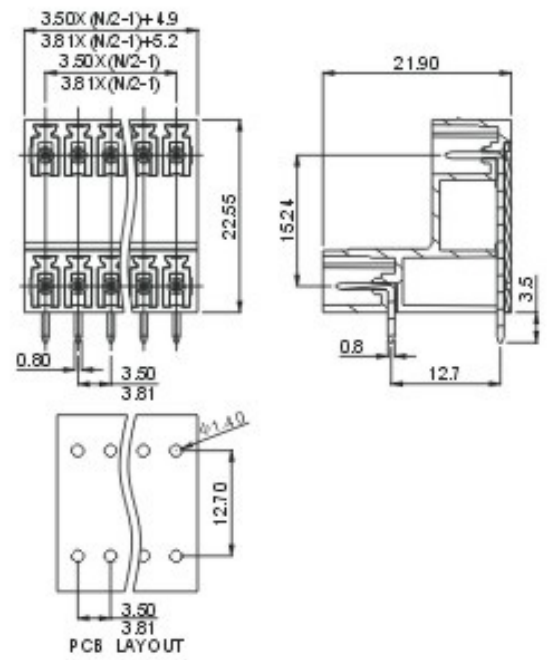


DEGSON ELECTRONICS CO., LTD.

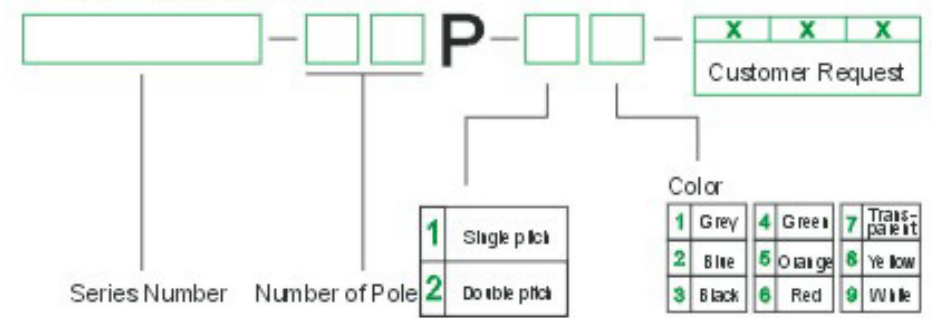
Product Specification



| | | |
|-----------------------|------------------------------|------|
| Approval | | |
| Electrical | | |
| Standard | UL | IEC |
| Rated voltage | 300V | 250V |
| Rated current | 8A | 7A |
| With standing voltage | AC2000V/1Min | |
| Mechanical | | |
| Ambient temperature | -40°C~+105°C | |
| Dimensions | | |
| Pitch | 3.5mm (.138") 3.81mm (.150") | |
| Poles | 2*(2P-24P) | |
| Material | | |
| Housing | PA66, UL94V-0 | |
| Pin header | Brass, Tin plated | |



HOW TO ORDER



| | | |
|--|------|-------------------------------------|
| | | DEGSON ELECTRONICS CO., LTD. |
| | NAME | 15EDGRT-3.5 15EDGRT-3.81 |