

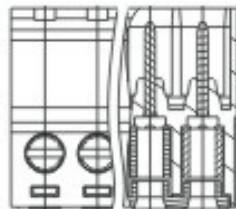
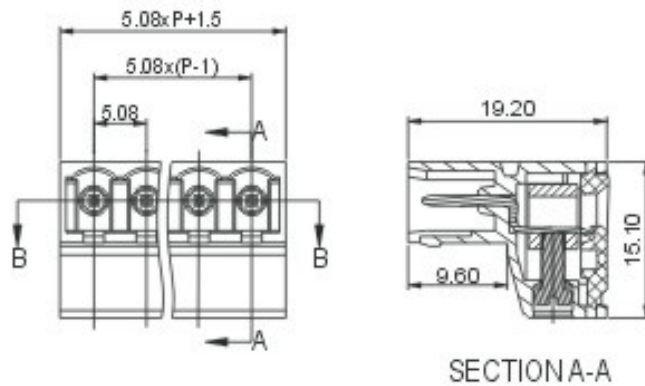


DEGSON ELECTRONICS CO., LTD.

Product Specification



2EDGKR-5.08
2EDGKR-7.62



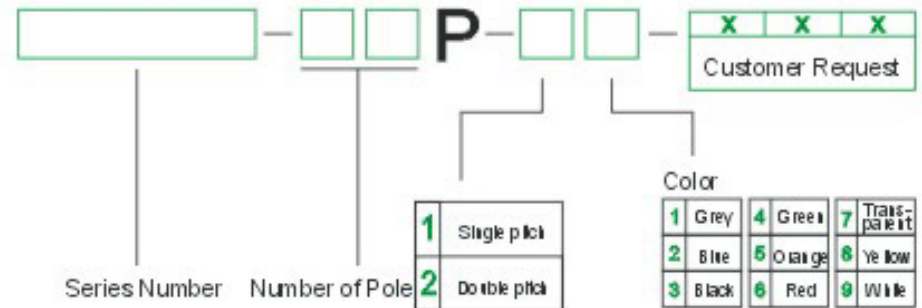
Approval	UL	CE
Electrical		
Standard	UL	IEC
Rated voltage	300V	320V,400V
Rated current	15A	20A
Wire range	28-12AWG	2.5mm ²
With standing voltage	AC2500V/1Min	

Mechanical	
Torque	0.4N.m (3.5Lb-In.)
Ambient temperature	-40°C~+105°C
Strip length	7mm

Dimensions	
Pitch	5.08 mm (.200") 7.62mm (.300")
Poles	2P -24P 2P -12P

Material	
Housing	PA66, UL94V-0
Screws	M2.5,steel,Cr ³⁺ Zn plated
Contact	Copper
Cage	Brass,Ni plated

HOW TO ORDER



	DEGSON ELECTRONICS CO., LTD.
	NAME 2EDGKR-5.08 2EDGKR-7.62