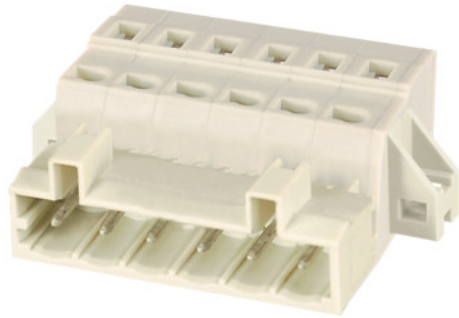




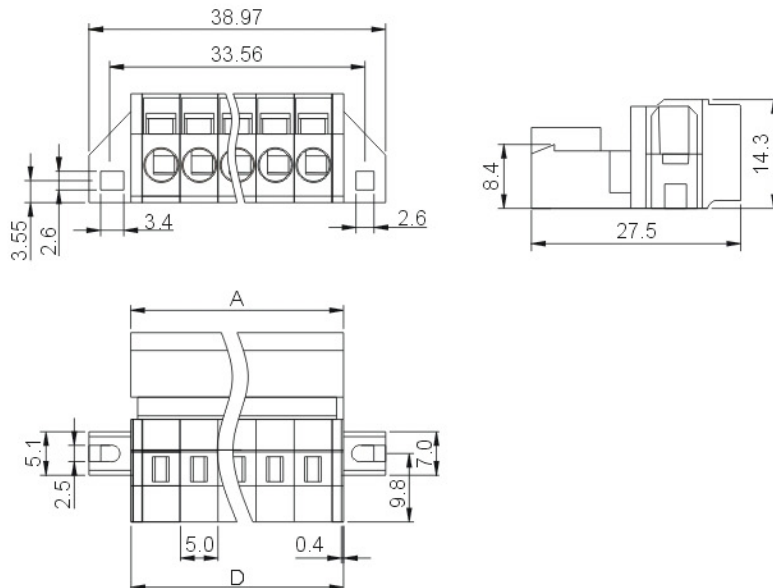
DEGSON ELECTRONICS CO., LTD.

Product Specification

CE



8EDGKRMB-5.0
8EDGKRMB-7.5



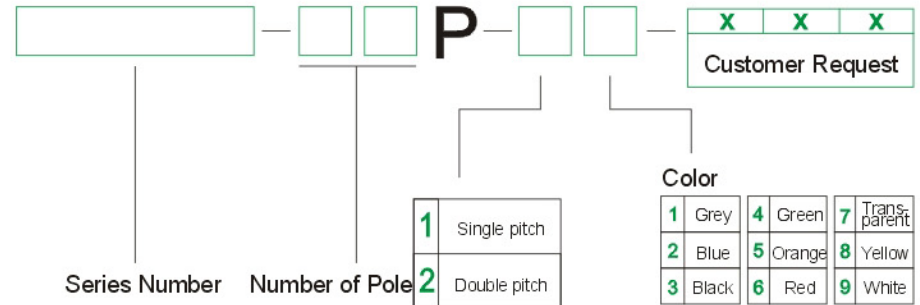
Approval	CE	
Electrical		
Standard	UL	IEC
Rated voltage	300V	320V
Rated current	15A	20A
Wire range	22-14AWG	2.5mm ²
With standing voltage	AC2500V/1Min	

Mechanical		
Ambient temperature	-40°C~+105°C	
Strip length	8-9mm	

Dimensions		
Pitch	5.0 mm (.197") 7.5 mm (.295")	
Poles	2P-24P	2P-12P

Material		
Housing	PA66, UL94V-0	
Contact	Phosphor bronze	
Wire guard	Stainless steel	
Pin header	Copper, Tin plated	

HOW TO ORDER



	DEGSON ELECTRONICS CO., LTD.
	NAME 8EDGKRMB-5.0 8EDGKRMB-7.5