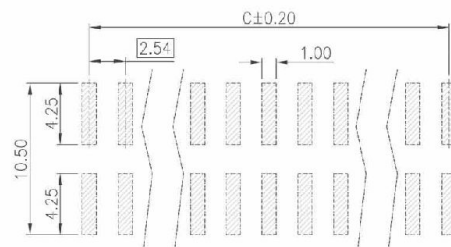
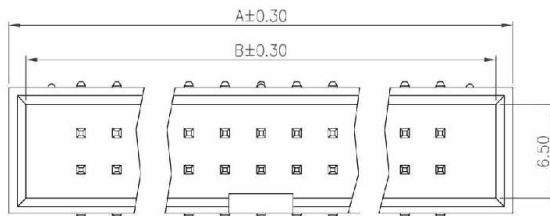


C3510 Series 2.54mm Box Header

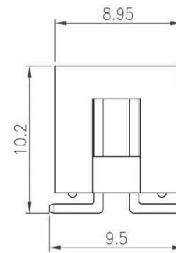
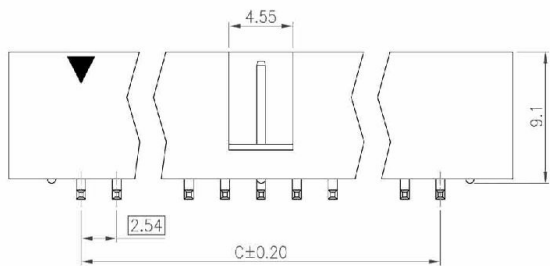


1. PRODUCTS: C: Connector	5. INSULATOR MATERIAL: P: PBT N: Nylon 6T (S.M.T.)	7. INSULATOR COLOR: B: Black W: White L: Blue G: Grey Y: Yellow	8. OTHERS: O: No Option T: Tube Packing R: Reel Packing P: PAD+Tube Packing Q: PAD+Reel Packing E: PAD+Tray Packing 9. FILL IT WITH "0"
2. SERIES NO.: 3510	6. CONTACT PLATING: T: Tin S: Selective Gold G: Gold Flash A: Gold 5U" B: Gold 10U" C: Gold 15U" D: Gold 30U"		
3. CONTACT NO.: 10-64			
4. CONTACT TYPE: S: Straight R: Right Angle D: S.M.T.			

1 C3510-XXDNGB00R 2.54mm X 2.54mm BOX HEADER XXP SMT TYPE



PCB Layout
(Top View)



Pos.	Dimensions		
	A	B	C
06	15.24	12.94	5.0
08	17.78	15.48	7.6
10	20.32	18.02	10.1
12	22.86	20.56	12.7
14	25.40	23.10	15.2
16	27.94	25.64	17.7
20	33.02	30.72	22.8
24	38.10	35.80	27.9
26	40.64	38.34	30.4
30	45.72	43.42	35.5
34	50.80	48.50	40.6
40	58.42	56.12	48.2
44	63.50	61.20	53.3
50	71.12	68.82	60.9

Material and Finish

- Housing: Hi. Temp. Plastic (UL94V-0), Black
- Terminal: S1. 0 67mm Copper Alloy, Gold Plating

Electrical Characteristics

- Current Rating: 3.0Amp. Max.
- Dielectric Withstand Voltage: 1000V AC RMS for 60 Seconds.
- Insulation Resistance: 1000M Ohms Min. at 1000V DC.

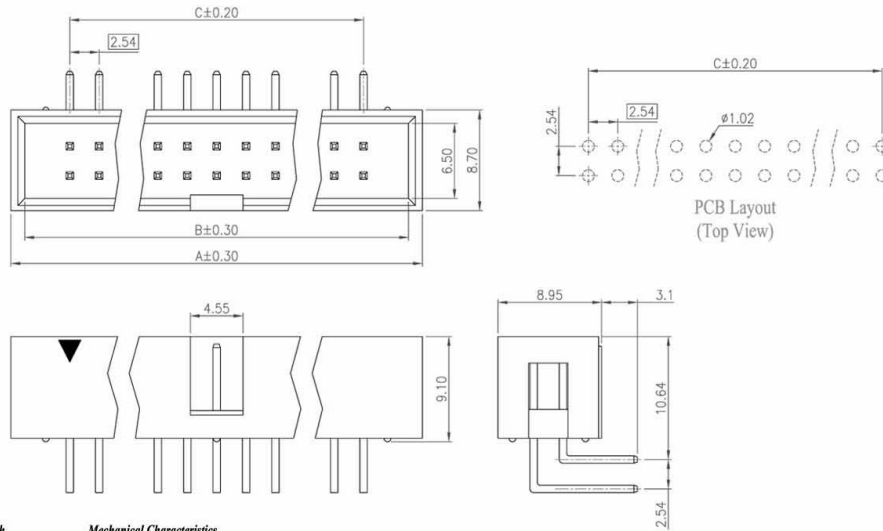
Mechanical Characteristics

- Operating Temperature: -55°C ~ +105°C

ELECTRONIC
COMPONENTS

2

C3510-XXRPXX00R
2.54mm BOX HEADER XXP 90° TYPE



Dimension			
Pos.	A	B	C
06	15.24	12.94	5.08
08	17.78	15.48	7.62
10	20.32	18.02	10.16
12	22.86	20.56	12.70
14	25.40	23.10	15.24
16	27.94	25.64	17.78
20	33.02	30.72	22.86
24	38.10	35.80	27.94
26	40.64	38.34	30.48
30	45.72	43.42	35.56
34	50.80	48.50	40.64
40	58.42	56.12	48.26
44	63.50	61.20	53.34
50	71.12	68.82	60.96
60	83.82	82.51	73.66
64	88.90	86.60	78.74

Material and Finish

- Housing: Thermoplastic (UL94V-0).
- Terminal: Sq. 0.64mm Copper Alloy, Gold Plating

Mechanical Characteristics

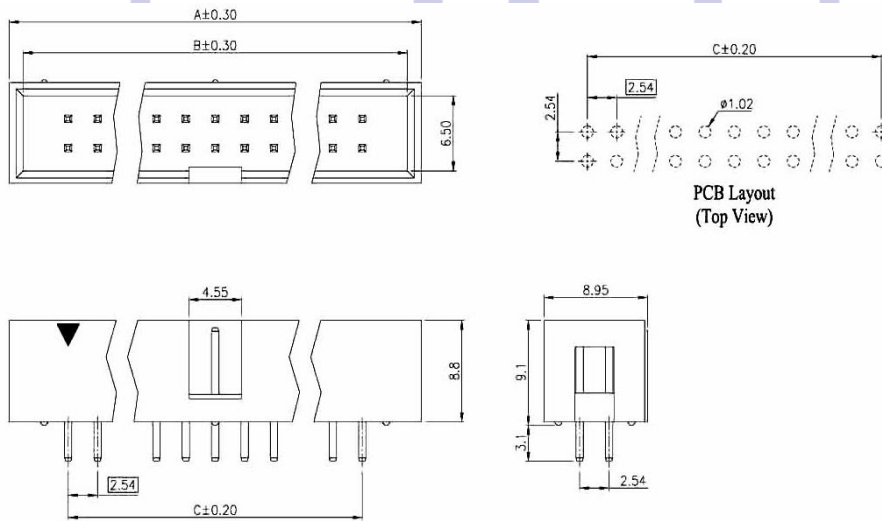
- Operating Temperature: -55°C ~ +105°C
- Color : Black , Blue , White

Electrical Characteristics

- Current Rating: 3.0 Amp. Max.
- Dielectric Withstand Voltage: 1000V AC RMS for 60Seconds.
- Insulation Resistance: 1000M Ohms Min. at 1000V DC.

3

C3510-XXSPGX00R
2.54mm BOX HEADER XXP 180° GOLD FLASH



Dimension			
Pos.	A	B	C
06	15.24	12.94	5.08
08	17.78	15.48	7.62
10	20.32	18.02	10.16
12	22.86	20.56	12.70
14	25.40	23.10	15.24
16	27.94	25.64	17.78
20	33.02	30.72	22.86
24	38.10	35.80	27.94
26	40.64	38.34	30.48
30	45.72	43.42	35.56
34	50.80	48.50	40.64
40	58.42	56.12	48.26
44	63.50	61.20	53.34
50	71.12	68.82	60.96
60	83.82	82.51	73.66
64	88.90	86.60	78.74

Material and Finish	Electrical Characteristics	Mechanical Characteristics
<ol style="list-style-type: none"> Housing: Thermoplastic (UL94V-0). Terminal: Sq. 0.64mm Copper Alloy, Gold Plating 	<ol style="list-style-type: none"> Current Rating: 3.0 Amp. Max. Dielectric Withstand Voltage: 1000V AC RMS for 60Seconds. Insulation Resistance: 1000M Ohms Min. at 1000V DC. 	<ol style="list-style-type: none"> Operating Temperature: -55°C ~ +105°C Insulator Color , Black Blue ,White

ELECTRONIC COMPONENTS