

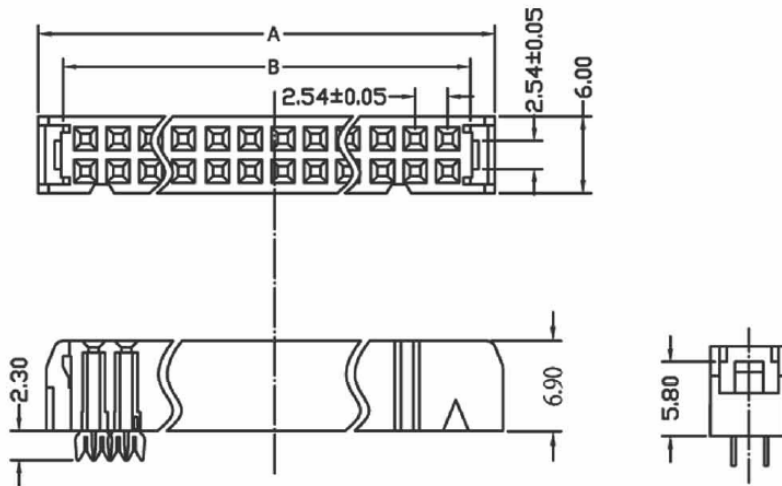
## C3001 Series 2.54mm IDC Socket



C	3001	—	10	Y	Y	S	B	0	0
1	2		3	4	5	6	7	8	9

- |  |   |   |  |
|--|---|---|--|
| 1. PRODUCTS:<br>C: Connector                             | 5. BODY OPTION:<br>Y: With Bump<br>N: W/O Bump                      | E: Selective Gold 5U"<br>F: Selective Gold 10U"<br>H: Selective Gold 15U"<br>I: Selective Gold 30U" | 8. FILL IT WITH "0"<br>9. FILL IT WITH "0" |
| 2. SERIES NO.:<br>3001                                   | 6. CONTACT PLATING:<br>T: Tin<br>S: Selective Gold<br>G: Gold Flash | 7. INSULATOR COLOR:<br>B: Black<br>G: Grey  |  |
| 3. CONTACT NO.:<br>06-64                                 | A: Gold 5U"<br>B: Gold 10U"<br>C: Gold 15U"<br>D: Gold 30U"         |   |  |
| 4. FUNCTION:<br>Y: With S/R<br>N: W/O S/R<br>B: With NSR |   |   |  |

**1**  
**C3001-XXNXXB00R**  
**2.54mmX2.54mm IDC SOCKET W/O SR W/O BUMP**

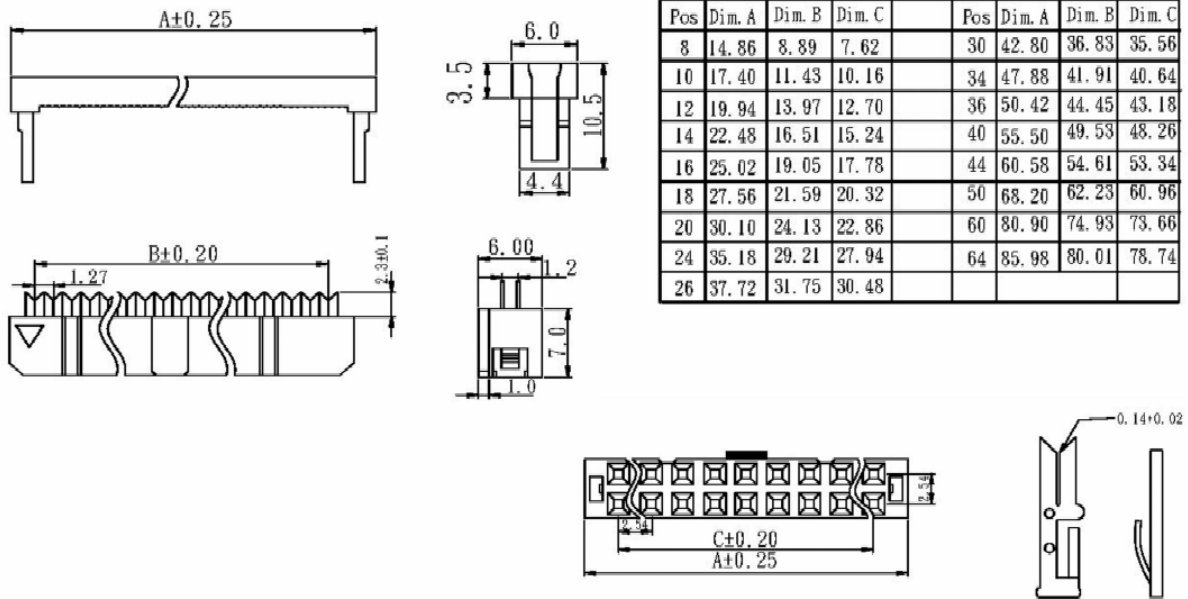


P 数	尺寸	A±0.15	B±0.20
6		12.1	8.60
8		14.7	11.10
10		17.3	13.60
12		19.8	16.20
14		22.3	18.80
16		24.8	21.30
18		27.5	23.90
20		29.9	26.40
24		34.9	31.40
26		37.6	34.00
28		40.1	36.50
30		42.6	39.10
32		45.1	41.50
34		47.7	44.10
40		55.6	51.90
44		60.5	57.00
50		68.4	64.70
60		81.2	77.50
64		86.2	82.55

ELECTRONIC  
COMPONENTS

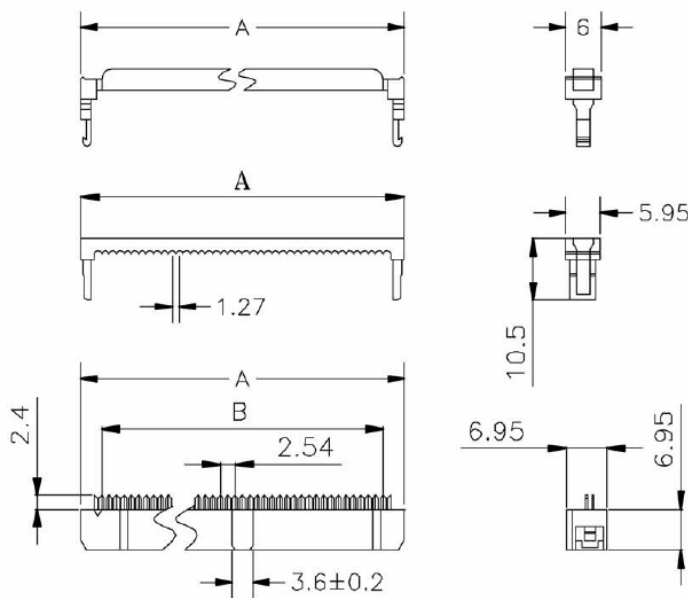
2

**C3001-XXNYSB00R**  
**2.54mmX2.54mm IDC SOCKET XXP W/ BUMP**



3

**C3001-XXYNSX00R**  
**2.54mm IDC SOCKET W/ SR W/O BUMP**



**MATERIALS:**  
**INSULATOR: P. B. T. 30%GLASS FIBER, UL94V-0**  
**CONTACTS: BRASS OR PHOSPHOR BRONZE,**  
**GOLD FLASH OVER NICKEL.**

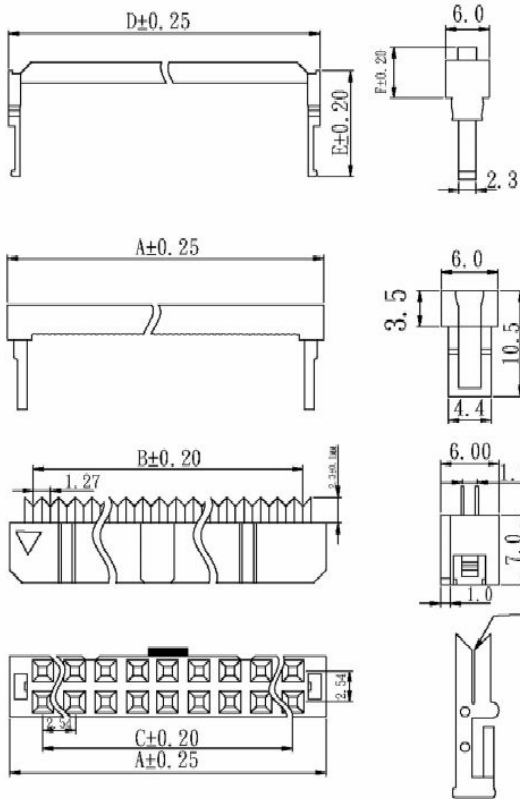
**ELECTRICAL:**  
**CURRENT RATING: 1AMP.**  
**INSULATION RESISTANCE: 1000MΩ MIN.**  
**DIELECTRIC WITHSTANDING: 500VAC**  
**OPERATING TEMPERATURE: -55° C +105° C**

DIMENSION					
CONTACT	A	B	CONTACT	A	B
06P	12.18	05.08	30P	42.66	35.56
08P	14.72	07.62	34P	47.74	40.64
10P	17.26	10.16	38P	50.43	43.18
12P	19.80	12.70	40P	55.36	48.26
14P	22.34	15.24	44P	60.64	53.34
16P	24.88	17.78	50P	68.05	60.96
18P	27.42	20.32	58P	75.71	68.58
20P	29.96	22.86	60P	80.80	73.66
24P	35.04	27.94	62P	83.35	78.20
26P	37.58	30.48	64P	86.10	78.74

ELECTRONIC COMPONENTS

4

**C3001-XXYYSB00R**  
**2.54mm IDC SOCKET W/ SR W/O BUMP**



Pos	Dim. A	Dim. B	Dim. C	Dim. D	Dim. E	Dim. F	Pos	Dim. A	Dim. B	Dim. C	Dim. D	Dim. E	Dim. F
8	14.86	8.89	7.62	14.66	13.55	5.00	30	42.80	36.83	35.56	42.80	13.45	4.85
10	17.40	11.43	10.16	17.20	13.55	5.00	34	47.88	41.91	40.64	47.68	13.55	5.00
12	19.94	13.97	12.70	19.74	13.55	5.00	36	50.42	44.45	43.18	50.22	13.55	5.00
14	22.48	16.51	15.24	22.28	13.55	5.00	40	55.50	49.53	48.26	55.30	13.55	5.00
16	25.02	19.05	17.78	24.82	13.55	5.00	44	60.58	54.61	53.34	60.38	13.55	5.00
18	27.56	21.59	20.32	27.36	13.55	5.00	50	68.20	62.23	60.96	68.40	13.45	4.85
20	30.10	24.13	22.86	29.90	13.55	5.00	60	80.90	74.93	73.66	80.70	13.55	5.00
24	35.18	29.21	27.94	34.98	13.55	5.00	64	85.98	80.01	78.74	85.78	13.55	5.00
26	37.72	31.75	30.48	37.52	13.55	5.00							

**ORDER INFORMATION**

**C3001** - **xx** **Y** **Y** **S** **B** **0** **0** **R**  
1 2 3 4 5 6 7 8

- 1. CONTACT No. : 08-64
- 2. FUNCTION : Y : WITH S/R  
N : WITHOUT S/R
- 3. BODY OPTION : Y : WITH BUMP  
N : WITHOUT BUMP
- 4. CONTACT PLATING : T : TIN  
S : SELECTIVE GOLD  
G : GOLD FLASH
- 5. INSULATOR COLOR : B : BLACK
- 6. FILL IT WITH "0"
- 7. FILL IT WITH "0"
- 8. ROHS

ELECTRONIC COMPONENTS