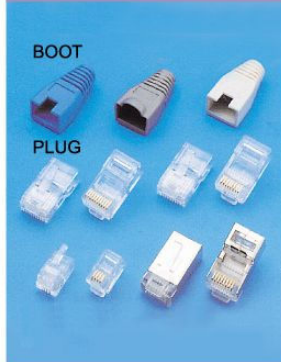


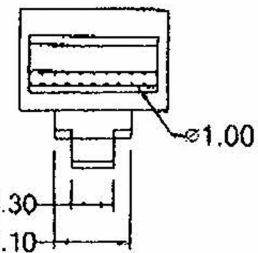
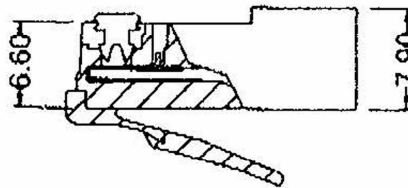
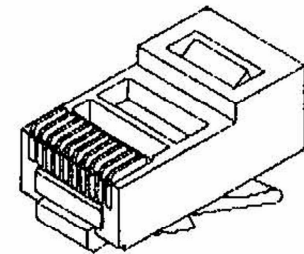
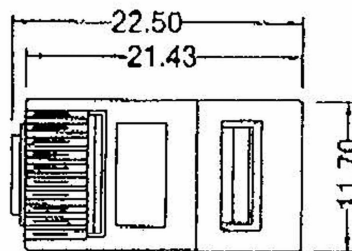
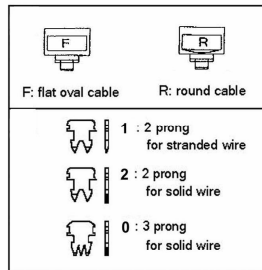
## C0050 Series Modular Plug



<b>C</b>	<b>0050</b>	—	<b>44</b>	<b>R</b>	<b>A</b>	<b>N</b>	<b>J</b>	<b>0</b>	<b>0</b>
1	2		3	4	5	6	7	8	9

- |   |  |   |  |
|---|--|---|--|
| <p>1. PRODUCTS:<br/>C: Connector</p> <p>2. SERIES NO.:<br/>0050</p> <p>3. CONTACT NO.:<br/>42: 4P2C<br/>44: 4P4C<br/>62: 6P2C<br/>64: 6P4C<br/>66: 6P6C<br/>88: 8P8C<br/>00: 10P10C</p> | <p>4. CONTACT TYPE:<br/>R: For Round Cable<br/>F: For Flat Cable</p> <p>5. MATERIAL:<br/>A: UL94V-2<br/>B: UL94V-0</p> <p>6. BODY OPTION:<br/>Y: With Shielded<br/>N: W/O Shielded</p> | <p>7. CONTACT PLATING:<br/>J: Gold 3U"<br/>K: Gold 6U"<br/>C: Gold 15U"<br/>D: Gold 30U"<br/>M: Gold 50U"</p> | <p>8. CONTACT BLADE:<br/>0: 3-Prong Fits<br/>Both Standed and<br/>Solid Wire<br/>1: 2-Prong Fits<br/>Stranded Wire Only<br/>2: 2-Prong Fits<br/>Solid Wire Only</p> <p>9. FILL IT WITH "0"</p> |
|---|--|---|--|

1

**C0050-00XANJX0R****MODULAR PLUG FITS STRANDED WIRE ONLY 10P10C V2 W/O SHIELDING****MATERIAL & FINISH**

Body: PC, UL94V-2, clear

Contact: phosphor bronze, selective gold plating.

ELECTRONIC  
COMPONENTS

2

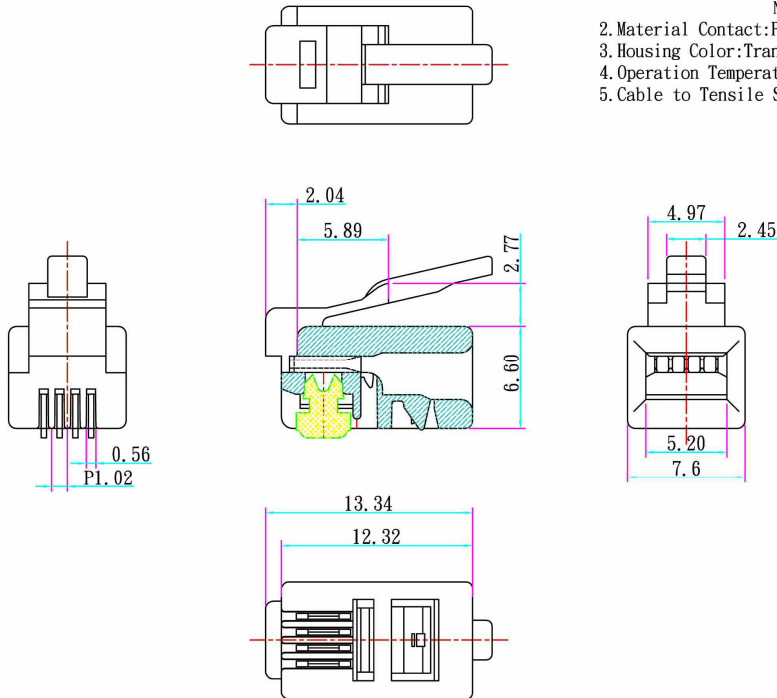
**C0050-44FANX10R**

**MODULAR PLUG FOR FLAT CABLE FITS STRANDED WIRE ONLY 4P4C V2**

**SPECIFICATION**

**MECHANICAL:**

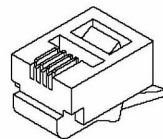
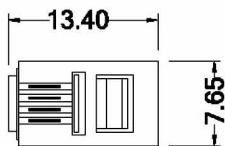
1. Housing Material: Polycarbonate, UL 94V-2, No Poison
2. Material Contact: Phosphor Bronze.
3. Housing Color: Transparence.
4. Operation Temperature: -40 °c to 80 °c.
5. Cable to Tensile Strength: 7.7Kgs



3

**C0050-44RANX10R**

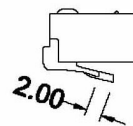
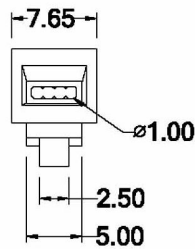
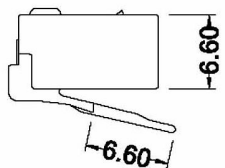
**MODULAR PLUG FOR ROUND CABLE FITS STRANDED WIRE ONLY 4P4C V2**



R: for round cable



2 prong for stranded wire



S2 : short latch 2.00



S5 : short latch 5.00

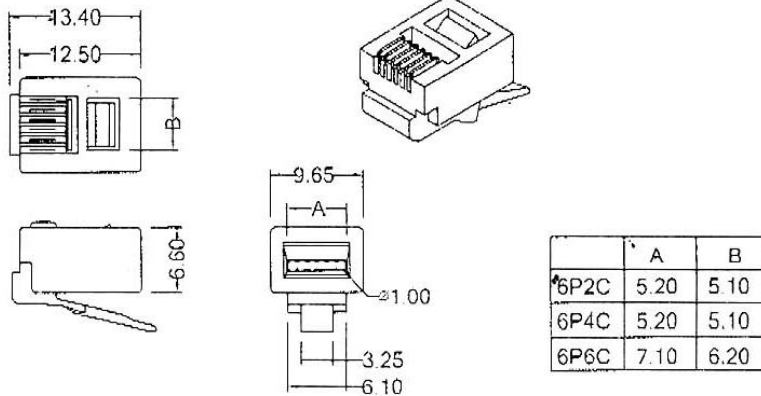
**MATERIAL & FINISH**

Body: PC. UL94V-2, clean

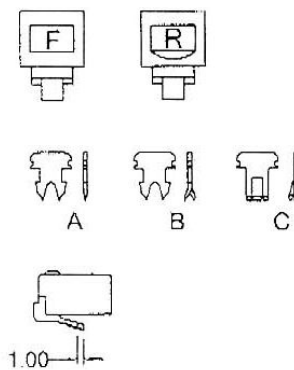
Contact: phosphor bronze plated gold.

ELECTRONIC

4

**C0050-64RANJ10R  
MODULAR PLUG 6P6C**

**MATERIAL & FINISH**

Body: PC, UL94V-2, clean  
Contact: phosphor bronze, selective gold plating.



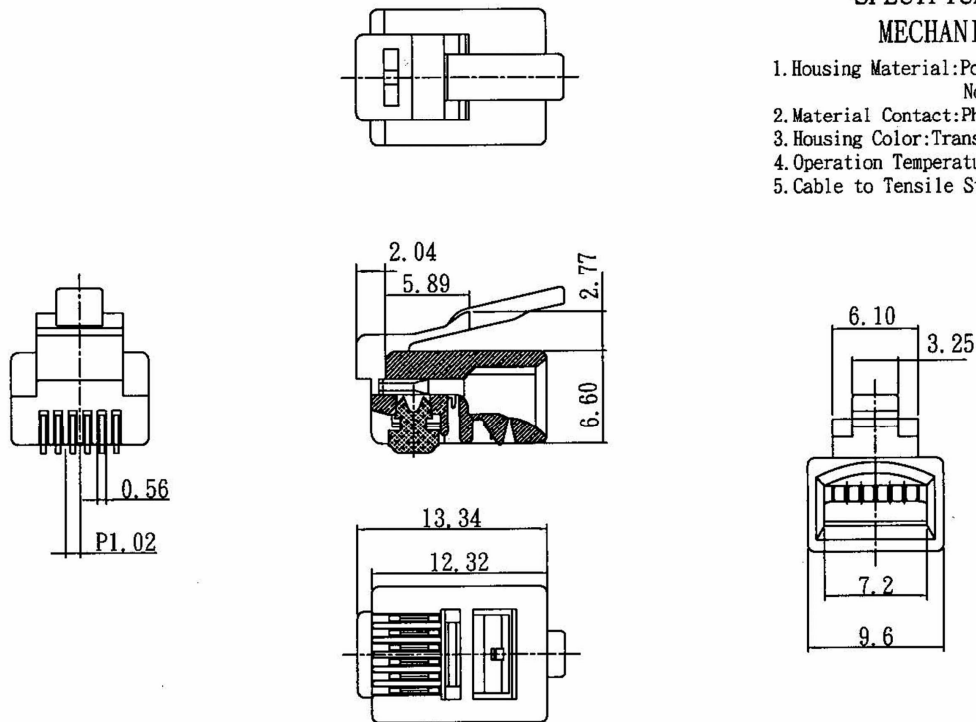
5

**C0050-66RANJ10R  
MODULAR PLUG FOR ROUND CABLE FITS STRANDED WIRE ONLY 6P6C V2  
GOLD 3U"**

ELECTRONIC  
COMPONENTS

### SPECIFICATION MECHANICAL:

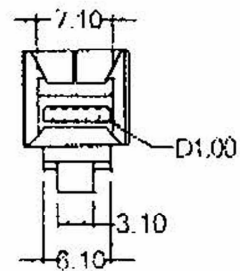
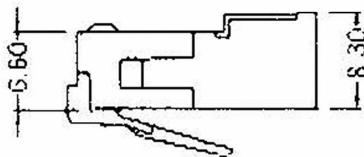
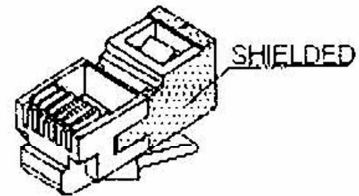
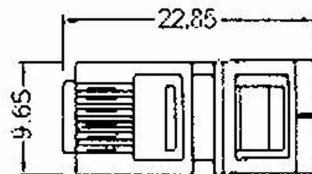
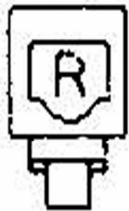
1. Housing Material: Polycarbonate, UL 94V-2, No Poison
2. Material Contact: Phosphor Bronze.
3. Housing Color: Transparence.
4. Operation Temperature: -40 °c to 80 °c.
5. Cable to Tensile Strength: 7.7Kgs



6

C0050-66RAYX10R

**MODULAR PLUG 6P6C FOR ROUND CABLE 2-PRONG FITS STARANDED WIRE ONLY UL94V-2 W/SHIELDING**



#### MATERIAL & FINISH

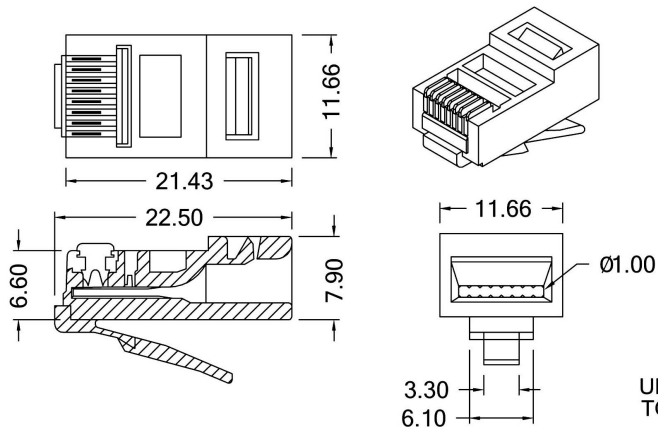
Body: PC, UL94V-2, clean

Contact: phosphor bronze plated gold.

Shield: bronze plated nickel.

7

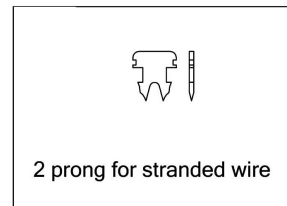
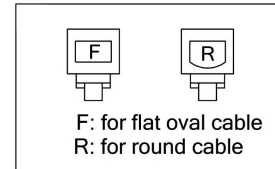
### C0050-88XANX10R MODULAR PLUG 8P8C V2 FITS STRANDED WIRE ONLY



#### MATERIAL & FINISH

Body: PC. UL94V-2, clean

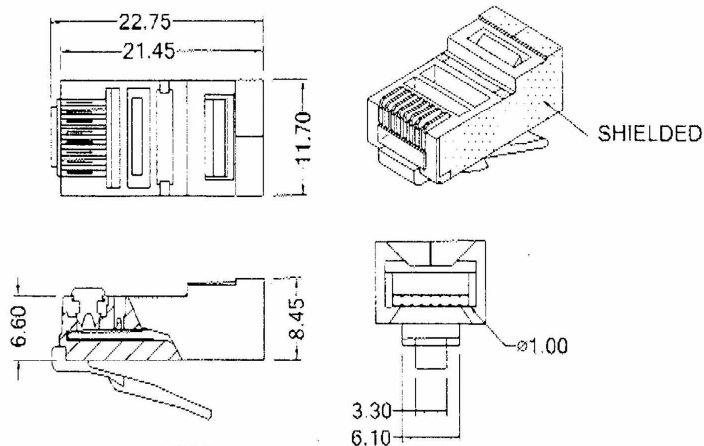
Contact: phosphor bronze, selective gold plated on contact area.



UNIT: m / m  
TOL.: +/- 0.10

8

### C0050-88XAYXX0R MODULAR PLUG 8P8C V2 WITH SHIELDED

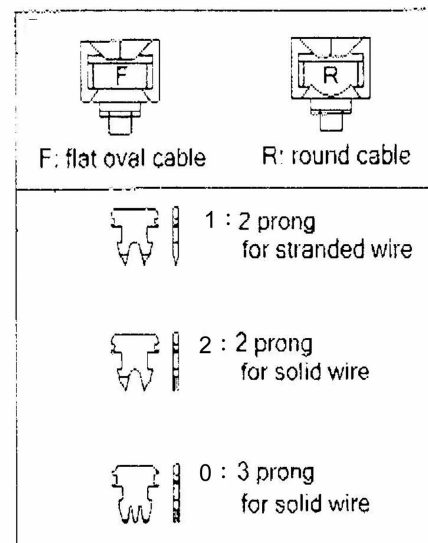


#### MATERIAL & FINISH

Body: PC. UL94V-2, clean

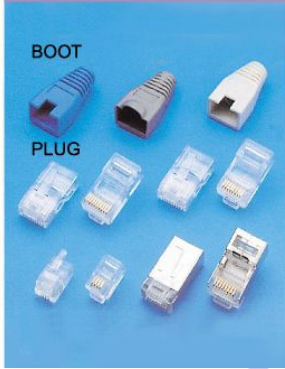
Contact: phosphor bronze, Selective gold plate

Shield: bronze plated nickel.



ELECTRONIC  
COMPONENTS

## C0050 Series Boot of Modular Plug

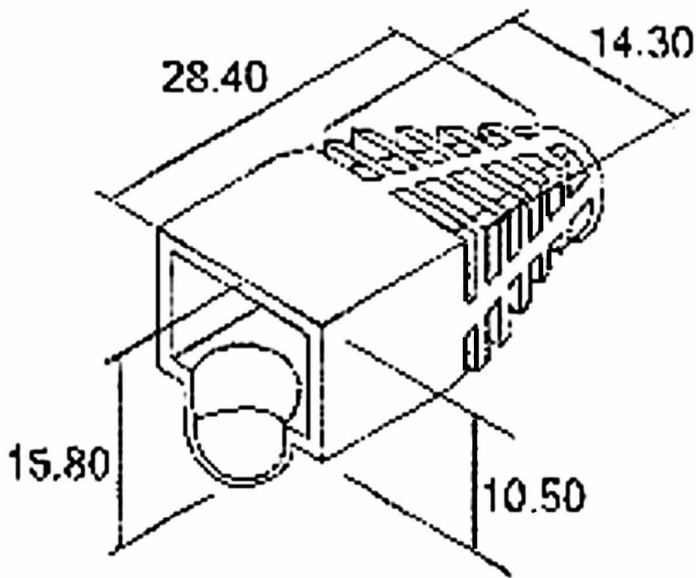


C
0050
—
B
A
60
B
0
0
0

- |  |   |  |
|--|---|--|
| <p>1. PRODUCTS:<br/>C: Connector</p> <p>2. SERIES NO.:<br/>0050</p> <p>3. TYPE:<br/>B: Boot Only</p> <p>4. BODY OPTION:<br/>A: Convex Boot<br/>B: Concave Boot</p> | <p>5. O.D. OPTION:<br/>50: 5.0mm<br/>55: 5.5mm<br/>60: 6.0mm<br/>65: 6.5mm</p> <p>6. INSULATOR COLOR:<br/>B: Black<br/>W: White<br/>E: Green<br/>L: Blue<br/>Y: Yellow<br/>R: Red</p> | <p>G: Grey<br/>I: Ivory</p> <p>7. FILL IT WITH "0"</p> <p>8. FILL IT WITH "0"</p> <p>9. FILL IT WITH "0"</p> |
|--|---|--|

9

### C0050-BAXXX000R BOOT OF MODULAR PLUG CONVEX BOOT



#### ORDER INFORMATION

C0050 — B A XX X 0 0 0 R

- |  |  |  |
|--|--|--|
| <p>1. TYPE:<br/>B : BOOT ONLY</p> <p>2. BODY OPTION:<br/>A: CONVEX BOOT</p> <p>3. O.D. OPTION:<br/>50: 5.0mm<br/>55: 5.5mm<br/>60: 6.0mm<br/>65: 6.5mm</p> | <p>4. INSULATOR COLOR:<br/>B : BLACK<br/>W: WHITE<br/>E : GREEN<br/>L: BLUE<br/>Y : YELLOW<br/>R : RED<br/>I : IVORY</p> | <p>5. FILL IT WITH "0"</p> <p>6. FILL IT WITH "0"</p> <p>7. FILL IT WITH "0"</p> <p>8. ROHS LOW-LEAD</p> |
|--|--|--|

MATERIAL: PVC

Cable Dia. : 5.5 , 6.0 , 6.5

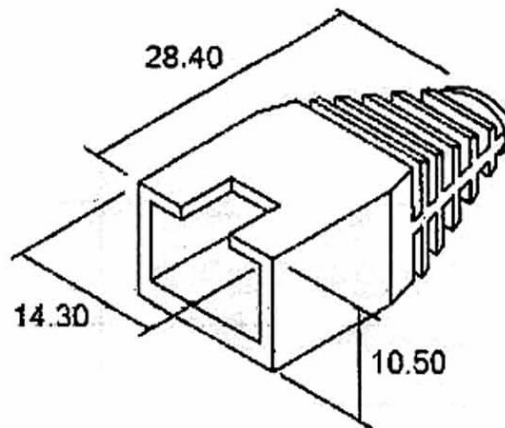
Color	WH :white	BK :black	RD :red	GN :green
	YL :yellow	BL :blue	GY :grey	OR :orange
	BG :begin			

ELECTRONIC COMPONENTS

10

C0050-BBXXX000R

BOOT OF MODULAR PLUG CONCAVE BOOT TYPE



MATERIAL: PVC

Cable Dia. :  $\varnothing 5.0$ ,  $\varnothing 5.5$ ,  $\varnothing 6.0$ ,  $\varnothing 6.5$ 

Color

WH :white	BK :black	RD :red	GN :green
YL :yellow	BL :blue	GY :grey	OR :orange
BG :begin			

ELECTRONIC  
COMPONENTS