



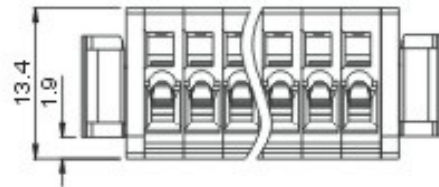
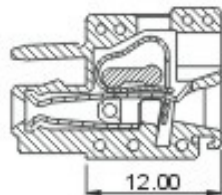
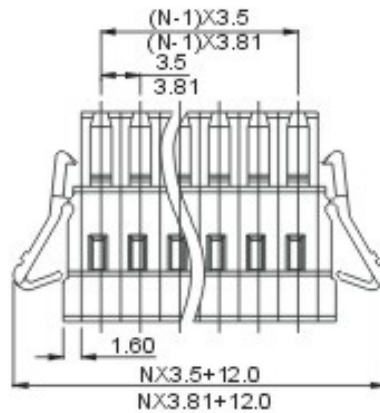
DEGSON ELECTRONICS CO., LTD.

Product Specification

CE



8EDGKG-3.5
8EDGKG-3.81



Approval

CE

Electrical

Standard	UL	IEC
Rated voltage	300V	250V
Rated current	8A	10A
Wire range	28-14AWG	1.5mm ²
With standing voltage	AC2000V/1Min	

Mechanical

Ambient temperature	-40°C ~ +105°C	
Strip length	7mm	

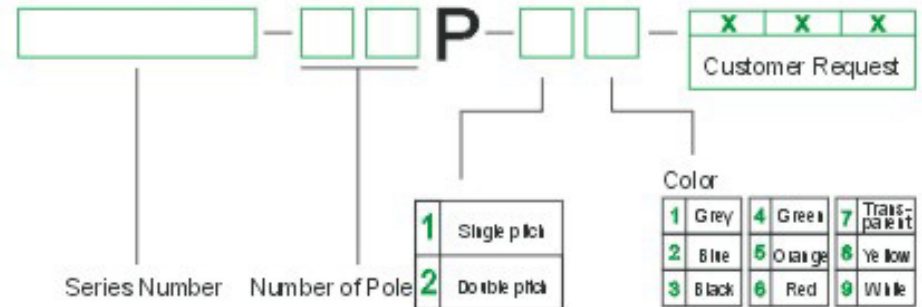
Dimensions

Pitch	3.5 mm (.138") / 3.81 mm (.150")	
Poles	2P-24P	

Material

Housing	PA66, UL94V-0
Contact	Phosphor bronze
Wire guard	Stainless steel

HOW TO ORDER



MM
(INCH)



DEGSON ELECTRONICS CO., LTD.

NAME

8EDGKG-3.5
8EDGKG-3.81