

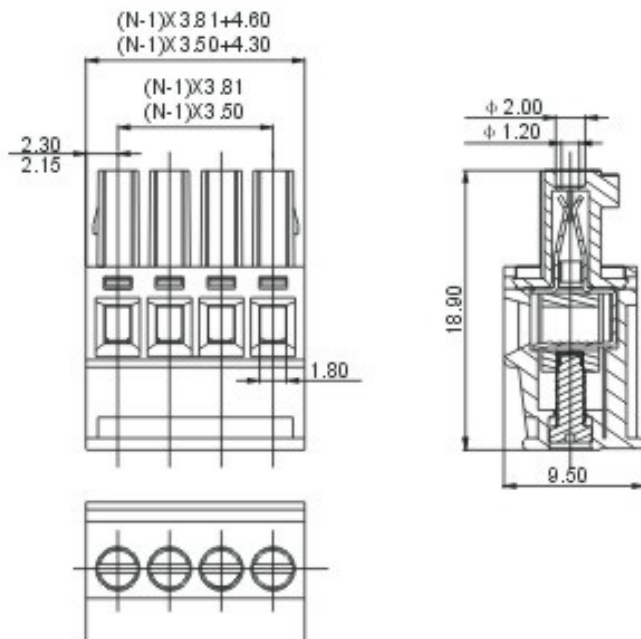


# DEGSON ELECTRONICS CO., LTD.

## Product Specification



**15EDGKB-3.5**  
**15EDGKB-3.81**



### Approval



### Electrical

Standard	UL	IEC
Rated voltage	300V	250V
Rated current	8A	7A
Wire range	28-16AWG	0.5-1.5mm <sup>2</sup>
With standing voltage	AC2000V/1Min	

### Mechanical

Torque	0.2Nm (1.7Lb-In.)
Ambient temperature	-30°C~+120°C
Strip length	7mm

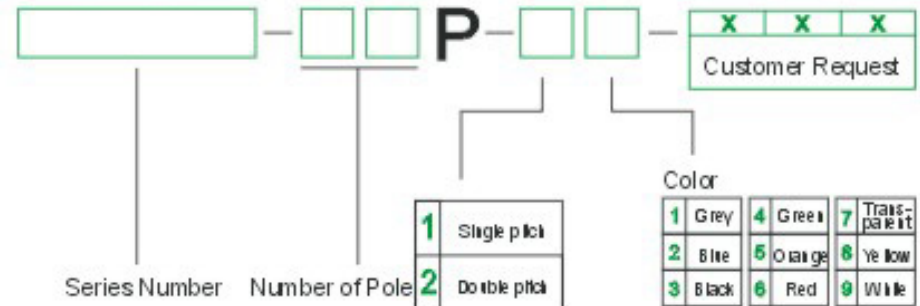
### Dimensions

Pitch	3.5mm (.138") 3.81mm (.150")
Poles	2P-24P

### Material

Housing	PBT, UL94V-0
Screws	M2, steel, Cr <sup>III</sup> Znplated
Contact	Phosphor bronze
Cage	Brass, Ni plated

## HOW TO ORDER



DEGSON ELECTRONICS CO., LTD.

NAME

**15EDGKB-3.5**  
**15EDGKB-3.81**