

C2700 Series 2.54mm Mini Jumper



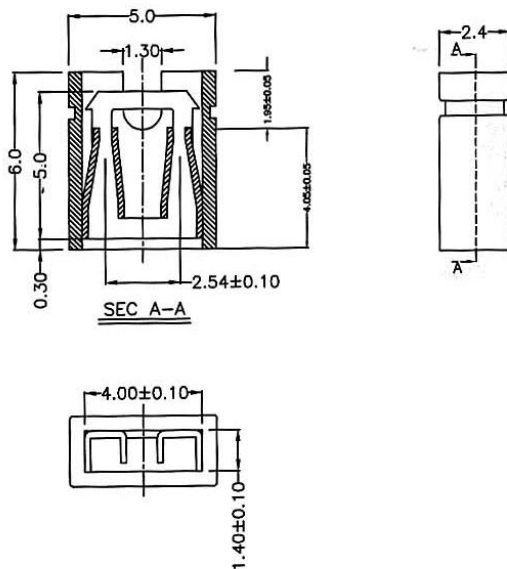
C	2700	—	02	A	A	G	B	0	0
1	2		3	4	5	6	7	8	9

- | | | | |
|---|--|--|---------------------|
| 1. PRODUCTS:
C: Connector | 5. TYPE OPTION:
A: Open Type
B: Close Type
C: (1x10) Parallel Type | 7. INSULATOR COLOR:
B: Black
G: Grey
W: White
L: Blue
R: Red
Y: Yellow
E: Green | 8. FILL IT WITH "0" |
| 2. SERIES NO.:
2700 | 6. CONTACT PLATING:
T: Tin
S: Selective Gold
G: Gold Flash
A: Gold 5U"
B: Gold 10U"
C: Gold 15U"
D: Gold 30U" | | 9. FILL IT WITH "0" |
| 3. CONTACT NO.:
02, 10 | | | |
| 4. INSULATOR HEIGHT:
A: 6.0mm
B: 4.5mm
C: 8.0mm
D: 13.5mm
E: 11.55mm | | | |

1

C2700-02AAGB00R

2.54mm MINI JUMPER 2P H:6.0mm



NOTES

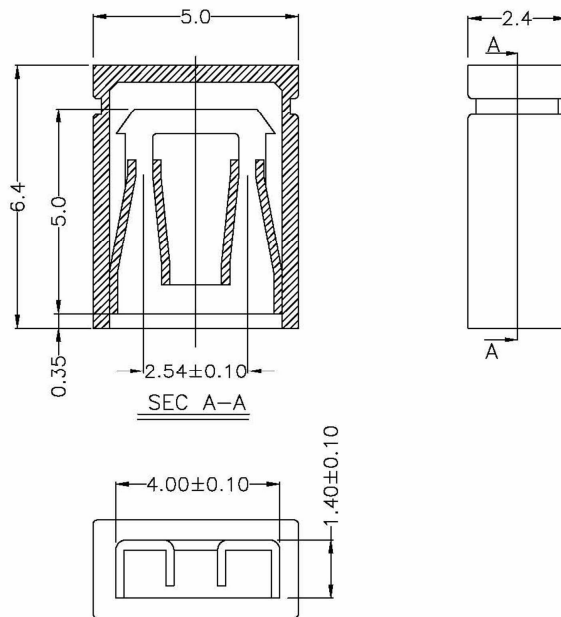
1. MATERIAL

- 1.1 Insulator: PBT+15% G.F. UL-94V-0

2. SPECIFICATION

- 2.1 Current Rating: 3Amp
 2.2 Dielectric Withstanding : AC 500V/min.R.M.S.
 2.3 Insulator Resistance: 1000M ohms Min
 2.4 Contact Resistance: 20 M ohms Min
 2.5 Operation Temperature: -55 °C to +85 °C

ELECTRONIC
COMPONENTS

2**C2700-02ABGX00R****2.54mm MINI JUMPER CLOSE COVER 2P H:6.5mm****NOTES****1.MATERIAL**

1.1 Insulator:PBT+15% G.F. UL-94V-0

2.SPECIFICATION

2.1 Current Rating: 3Amp

2.2 Dielectric Withstading : AC 500V/min.R.M.S.

2.3 Insulator Resistance: 1000M ohms Min

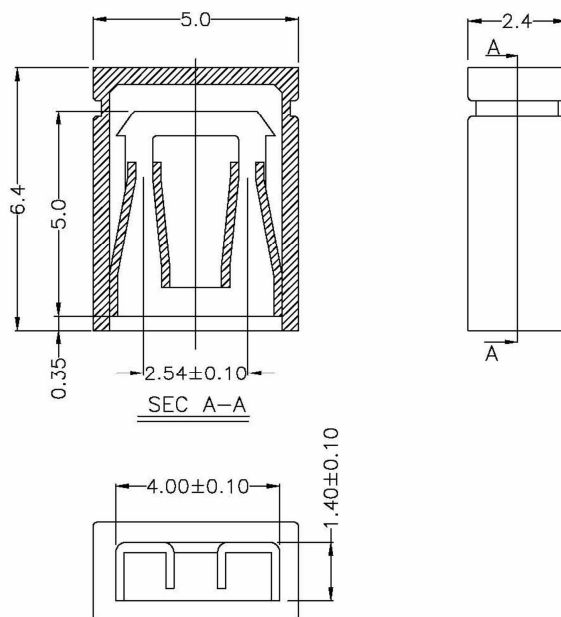
2.4 Contact Resistance: 20m ohms Max

2.5 Operation Temperature: -55 °C to +85 °C

2.6 Contact retention force: 0.91 kg MIN.

2.7 Insertion force: 420g MAX. per contact.(pin gauge SQ. 0.64mm)

2.8 Withdrawal force: 28g MIN.per contact.(pin gauae SQ. 0.64mm)

3**C2700-02BAGX00R****2.54mm MINI JUMPER OPEN H:4.5mm****NOTES****1.MATERIAL**

1.1 Insulator:PBT+15% G.F. UL-94V-0

2.SPECIFICATION

2.1 Current Rating: 3Amp

2.2 Dielectric Withstading : AC 500V/min.R.M.S.

2.3 Insulator Resistance: 1000M ohms Min

2.4 Contact Resistance: 20m ohms Max

2.5 Operation Temperature: -55 °C to +85 °C

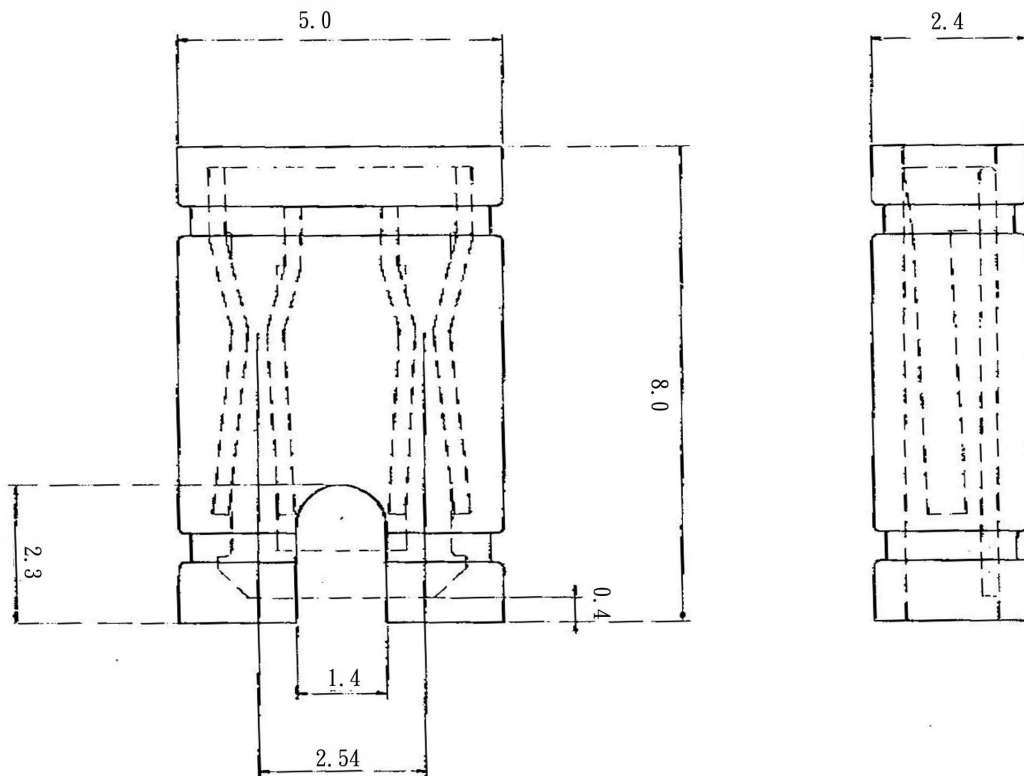
2.6 Contact retention force: 0.91 kg MIN.

2.7 Insertion force: 420g MAX. per contact.(pin gauge SQ. 0.64mm)

2.8 Withdrawal force: 28g MIN.per contact.(pin gauae SQ. 0.64mm)

ELECTRONIC
COMPONENTS

4

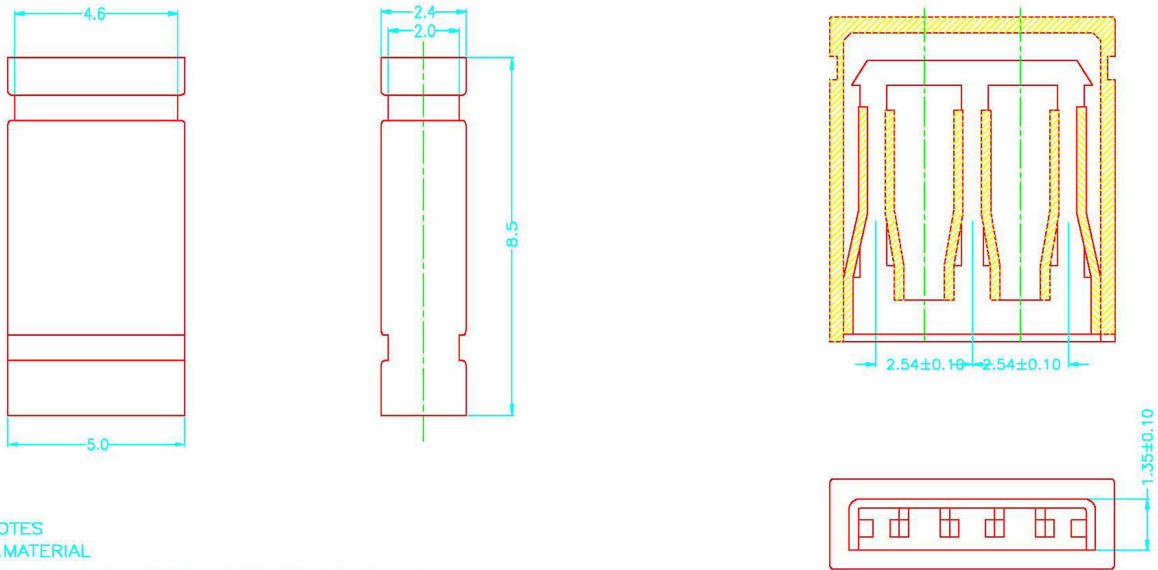
C2700-02CAGB00R**2.54mm MINI JUMPER 2P H:8.0mm OPEN COVER**

ELECTRONIC
COMPONENTS

5

C2700-02CBXX00R

2.54mm MINI JUMPER 2P H:8.0mm CLOSE COVER



NOTES

1.MATERIAL

- 1.1 Insulator: P.B.T +15% G.F. UL-94V-0
- 1.2 Contact: Phosphor Bronze
- 1.3 Contact Plating: Gold Or Nickel Plated

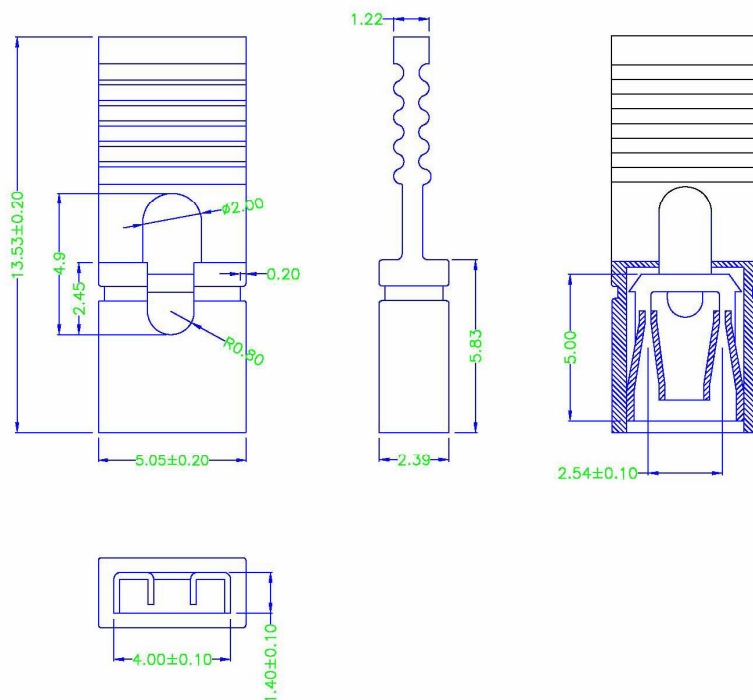
2.SPECIFICATION

- 2.1 Current Rating: 3Amp
- 2.2 Dielectric Strength: 500V AC
- 2.3 Insulator Resistance: 1000M ohms Min
- 2.4 Contact Resistance: 20 M ohms Min
- 2.5 Operation Temperature: -55 °C to +85 °C

6

C2700-02DAXX00R

2.54mm MINI JUMPER 2P H:13.5mm WITH HANDLE OPEN COVER



NOTES

1.MATERIAL

- 1.1 Insulator: NYLON 66

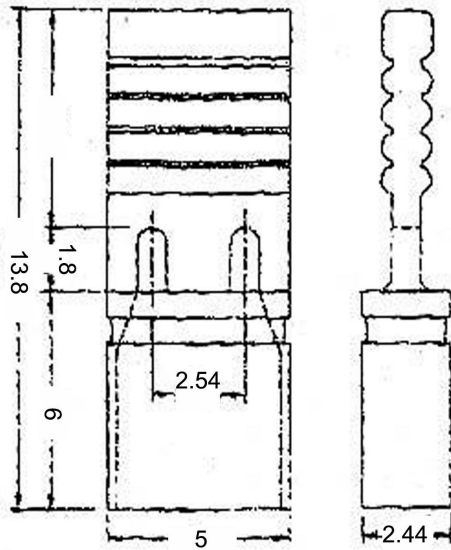
2.SPECIFICATION

- 2.1 Current Rating: 3Amp
- 2.2 DIELECTRIC WITHSTANDING : AC 500V/min.R.M.S.
- 2.3 Insulator Resistance: 1000M ohms Min
- 2.4 Contact Resistance: 20m ohms Max
- 2.5 Operation Temperature: -55 °C to +85 °C

C	2700	-	02	D	A	X	X	0	0	R
1	2		3	4	5	6	7	8	9	10

- | | | |
|---|---|---|
| <p>1.PRODUCTS:
C:Connector</p> <p>2.SERIES NO.:
2700</p> <p>3.CONTACT NO.:
02</p> <p>4.INSULATOR HEIGHT:
D:13.5mm</p> | <p>5.TYPE OPTION:
A:Open Type</p> <p>6.CONTACT PLATING:
T: Tin
S: Selective Gold
G: Gold Flash
A: Gold 50"
B: Gold 10U"
C: Gold 15U"
D: Gold 30U"</p> | <p>7.INSULATOR COLOR:
B: Black
G: Grey
W: White
L: Blue
R: Red
Y: Yellow
E: Green</p> <p>8.FILL IT WITH*:</p> <p>9.FILL IT WITH*:</p> <p>10.ROHS LOW-LEAD</p> |
|---|---|---|

7

C2700-02DBGX00R**2.54mm MINI JUMPER 2P H:13.5mm CLOSE COVER****SPECIFICATIONS**

- Current Rating: 3 amperes MAX
- Contact Resistance: 30mΩ MAX
- Insulation Resistance: 1000 megohms MAX
- Dielectric Withstanding Voltage: AC 650 volts RMS at sea level

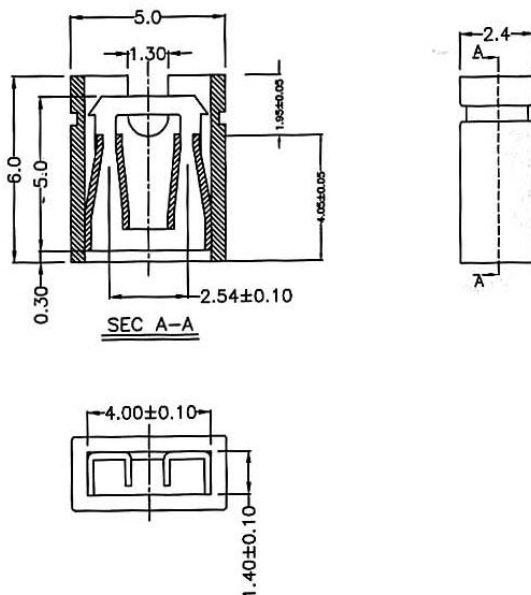
FEATURES

Double tuning fork type contact guarantees high reliability.
2.54MM pitch Low-Profile mini type Match to 0.64mm sq. posts.

MATERIAL

- Insulator 21SP-NY66
- Contact Gold Plated
- Terminal 5191 Phosphor Bronze

8

C2700-02AAGB00R**2.54mm MINI JUMPER 2P H:6.0mm****NOTES****1.MATERIAL**

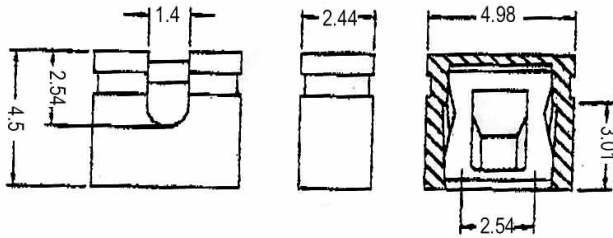
- 1.1 Insulator:PBT+15% G.F. UL-94V-0

2.SPECIFICATION

- 2.1 Current Rating: 3Amp
- 2.2 Dielectric Withstanding : AC 500V/min.R.M.S.
- 2.3 Insulator Resistance: 1000M ohms Min
- 2.4 Contact Resistance: 20 M ohms Min
- 2.5 Operation Temperature: -55 °C to +85 °C

ELECTRONIC
COMPONENTS

9

C2700-02BAGX00R**2.54mm MINI JUMPER 2P H:4.5mm OPEN****SPECIFICATION**

Electric

Current Rating: 3 Amperes Max.

Contact Resistance: 30mohms Max.

Insulation Resistance: 1000 megohms Max.

Dielectric Withstanding Voltage: AC 650 Volts RMS At Sea Level

Material

Insulator: 30% Glass Filled P.B.T.(UL 94V-0)

Contact: Gold Plated

Terminal: 5191 Phosphor Bronze

ELECTRONIC
COMPONENTS