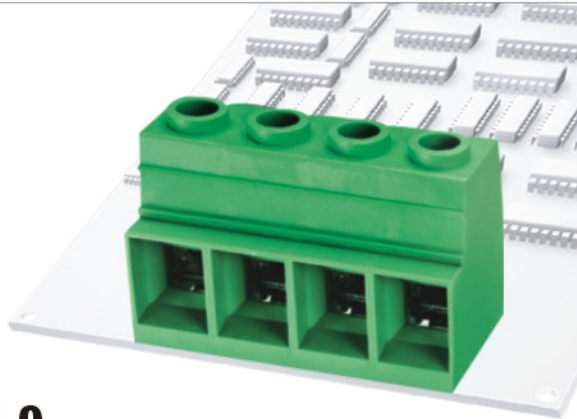




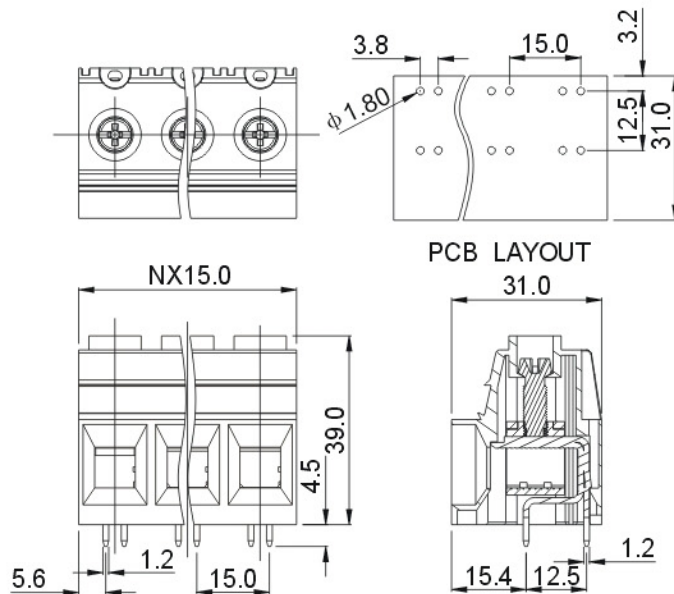
DEGSON ELECTRONICS CO., LTD.

Product Specification

CE in the course of application



DG137T-15.0

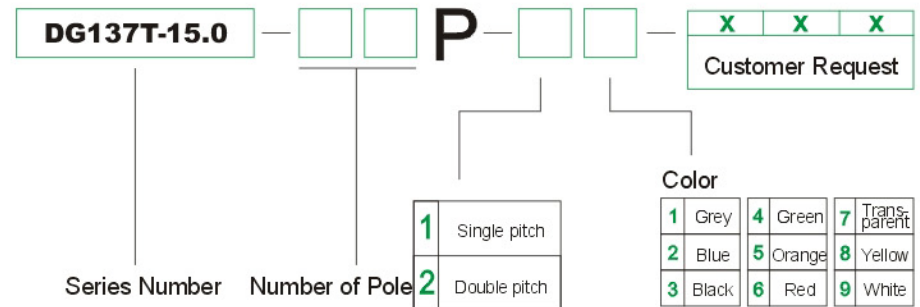


Approval	in the course of application		CE
Electrical			
Standard	UL		IEC
Rated voltage	600V		1000V
Rated current	90A		125A
Wire range	20-2AWG		25.0mm ²
With standing voltage	AC3500V/1Min		

Mechanical			
Torque	2.0Nm(17.5Lb-In.)		
Ambient temperature	-40°C~+105°C		
Strip length	18mm		
Dimensions			
Pitch	15.0mm(.590")		
Poles	2P, 3P-9P		

Material			
Housing	PA66, UL94V-0		
Screws	M5, steel, Cr ³⁺ Zn plated		
Pin header	Copper, Tin plated		
Cage	steel, Cr ³⁺ Zn plated		

HOW TO ORDER



	DEGSON ELECTRONICS CO., LTD.
	NAME DG137T-15.0