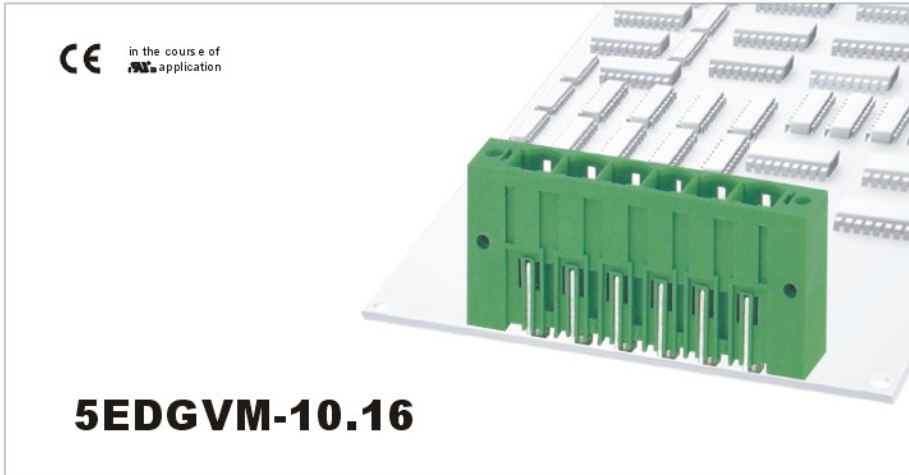




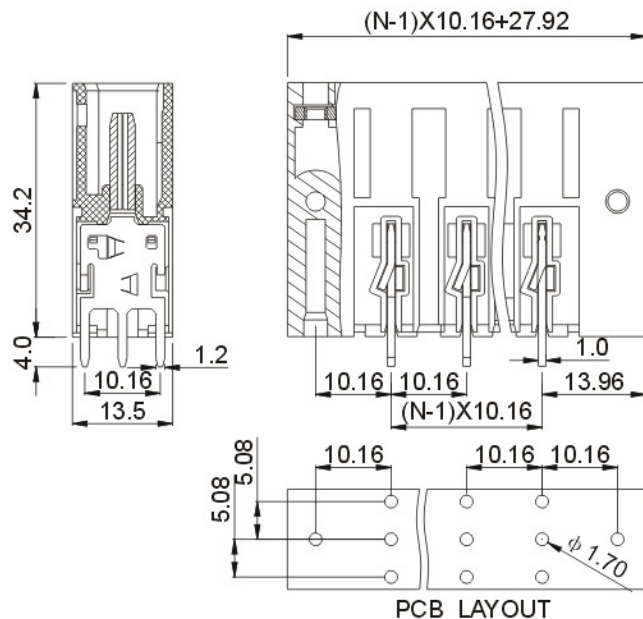
# DEGSON ELECTRONICS CO., LTD.

## Product Specification

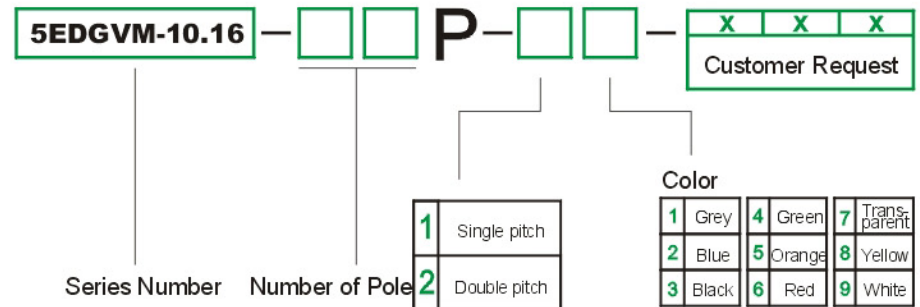


CE in the course of application

<b>Approval</b>	in the course of application <b>CE</b>	
<b>Electrical</b>		
Standard	UL	IEC
Rated voltage	600V	630V
Rated current	30A	41A
With standing voltage	AC3000V/1Min	
<b>Mechanical</b>		
Ambient temperature	-40°C~+105°C	
<b>Dimensions</b>		
Pitch	10.16 mm(.400")	
Poles	2P-9P	
<b>Material</b>		
Housing	PA66, UL94V-0	
Pin header	Copper, Tin plated	



### HOW TO ORDER



	<b>DEGSON ELECTRONICS CO., LTD.</b>
	NAME <b>5EDGVM-10.16</b>