



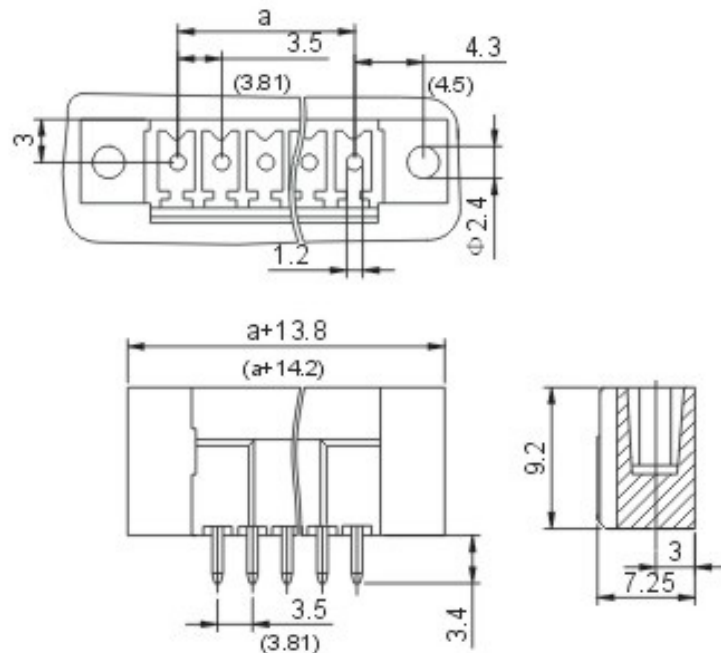
# DEGSON ELECTRONICS CO., LTD.

## Product Specification

CE

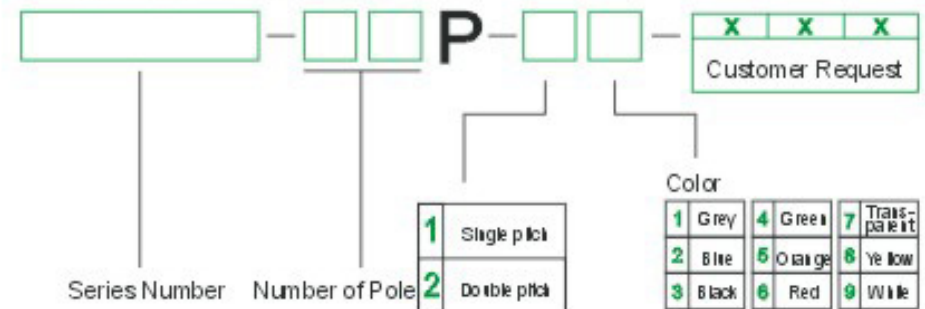


**15EDGVM-THT-3.5**  
**15EDGVM-THT-3.81**



<b>Approval</b>	CE	
<b>Electrical</b>		
Standard	UL	IEC
Rated voltage	300V	250V
Rated current	8A	7A
With standing voltage	AC2000V/1Min	
<b>Mechanical</b>		
Ambient temperature	-40°C~+140°C	
<b>Dimensions</b>		
Pitch	3.5mm (.138") 3.81mm (.150")	
Poles	2P -12P	
<b>Material</b>		
Housing	PA46, UL94V-0	
Pin header	Brass, Tin plated	
Nut	M2.5, Brass	

### HOW TO ORDER



	<b>DEGSON ELECTRONICS CO., LTD.</b>
	<b>NAME</b> <b>15EDGVM-THT-3.5</b> <b>15EDGVM-THT-3.81</b>