



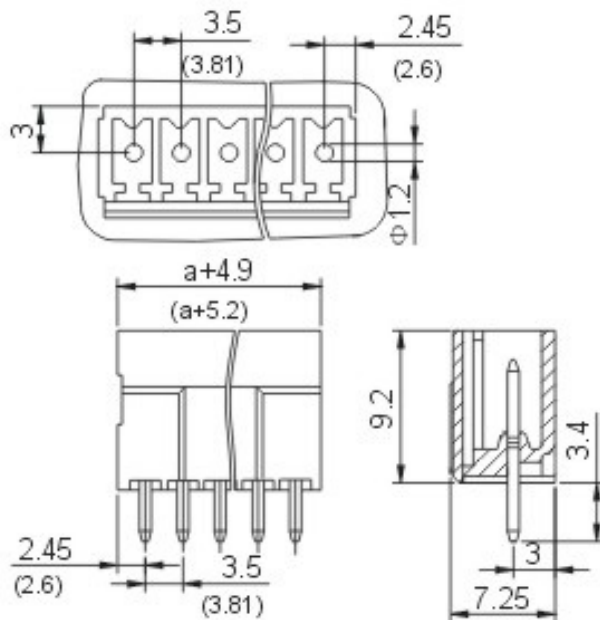
DEGSON ELECTRONICS CO., LTD.

Product Specification

CE

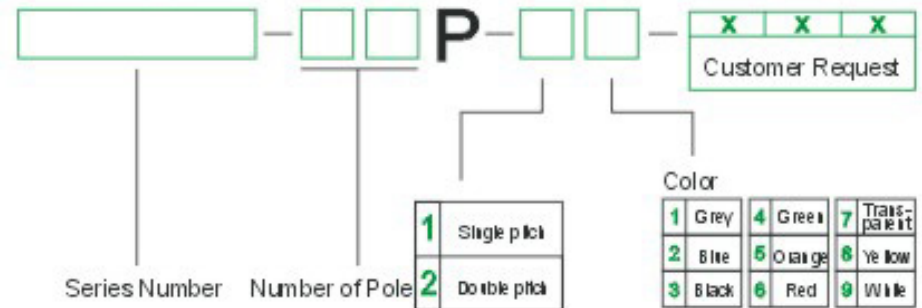


15EDGVC-THT-3.5
15EDGVC-THT-3.81



Approval	CE	
Electrical		
Standard	UL	IEC
Rated voltage	300V	250V
Rated current	8A	7A
With standing voltage	AC2000V/1Min	
Mechanical		
Ambient temperature	-40°C~+140°C	
Dimensions		
Pitch	3.5mm (.138") 3.81mm (.150")	
Poles	2P -1 2P	
Material		
Housing	PA46, UL94V-0	
Pin header	Brass, Tin plated	

HOW TO ORDER



	DEGSON ELECTRONICS CO., LTD.
	NAME 15EDGVC-THT-3.5 15EDGVC-THT-3.81