

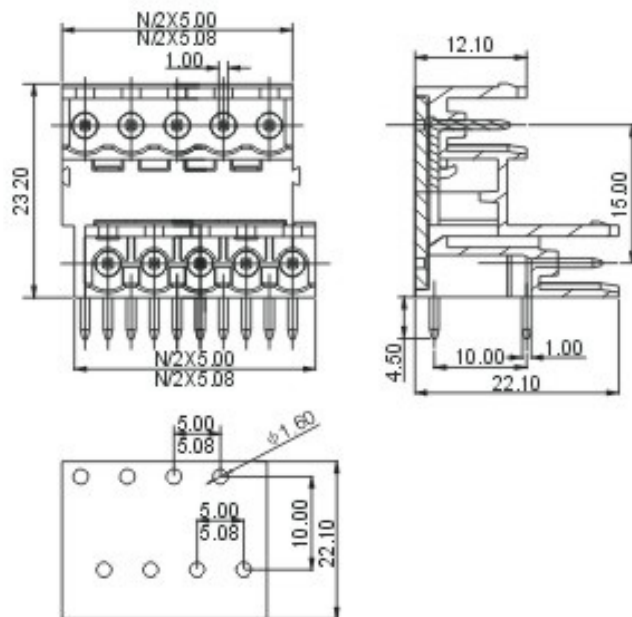


# DEGSON ELECTRONICS CO., LTD.

## Product Specification



**2EDGRT-5.0**  
**2EDGRT-5.08**



PCB LAYOUT

### Approval



### Electrical

Standard	UL	IEC
Rated voltage	300V	320V
Rated current	15A	10A
With standing voltage	AC2500V/1 Min	

### Mechanical

Ambient temperature	-40°C~+105°C
---------------------	--------------

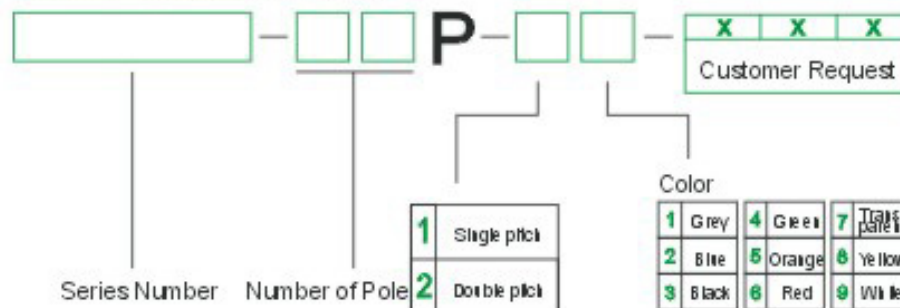
### Dimensions

Pitch	5.0mm (.197")/5.08mm (.200")
Poles	2*(2P,3P-24P)

### Material

Housing	PA66, UL94V-0
Pin header	Brass, Tin plated

## HOW TO ORDER



DEGSON ELECTRONICS CO., LTD.



NAME

**2EDGRT-5.0**  
**2EDGRT-5.08**