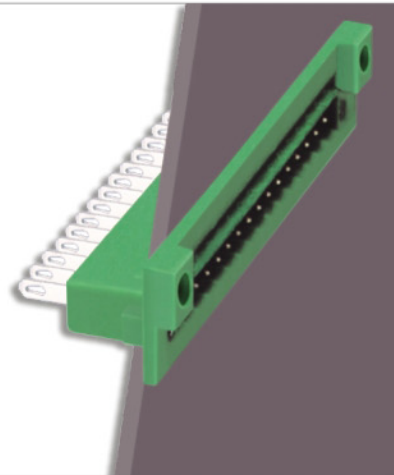




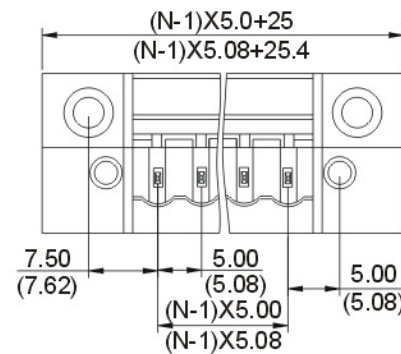
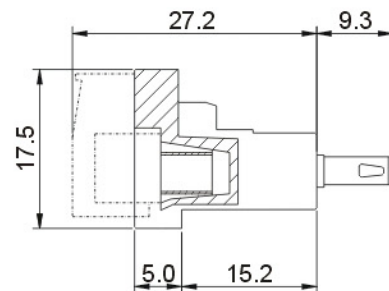
DEGSON ELECTRONICS CO., LTD.

Product Specification

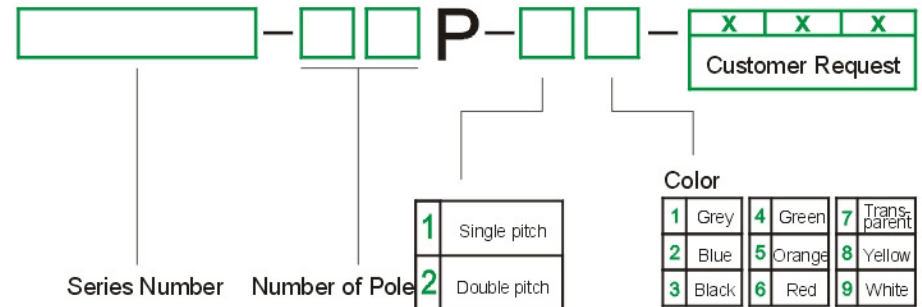


2CDGB-5.0
2CDGB-5.08

Approval		
Electrical		
Standard	UL	IEC
Rated voltage	300V	320V
Rated current	15A	20A
With standing voltage	AC2500V/1Min	
Mechanical		
Ambient temperature	-40°C~+105°C	
Dimensions		
Pitch	5.0mm(.197")/5.08mm(.200")	
Poles	2P-22P	
Material		
Housing	PA66, UL94V-0	
Pin header	Brass, Tin plated	



HOW TO ORDER



	 DEGSON ELECTRONICS CO., LTD.
 <small>THIRD ANGLE PROJECTION</small>	NAME 2CDGB-5.0 2CDGB-5.08