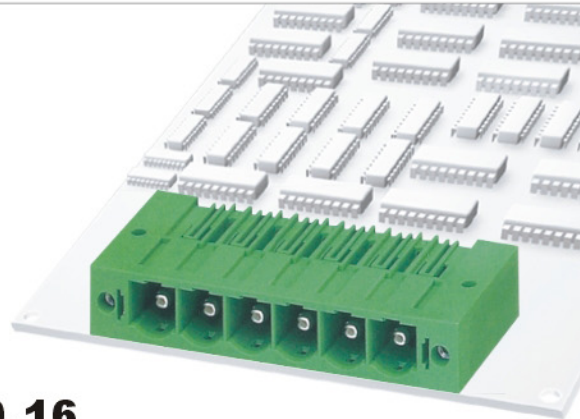




DEGSON ELECTRONICS CO., LTD.

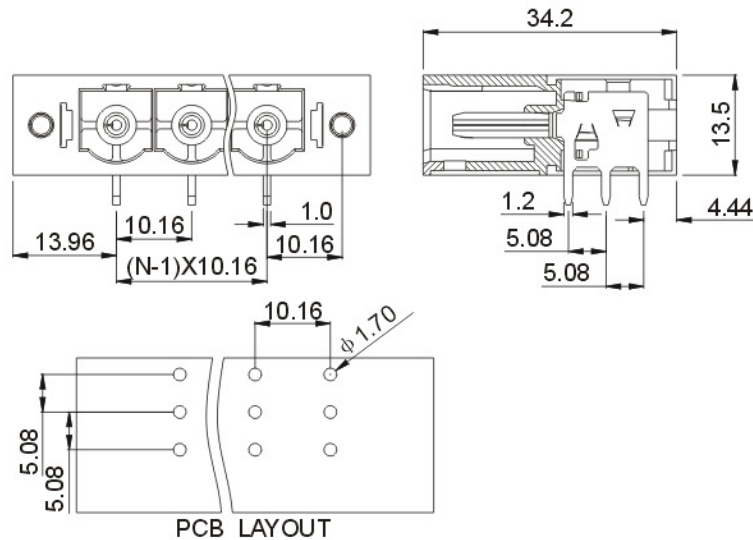
Product Specification

CE in the course of application

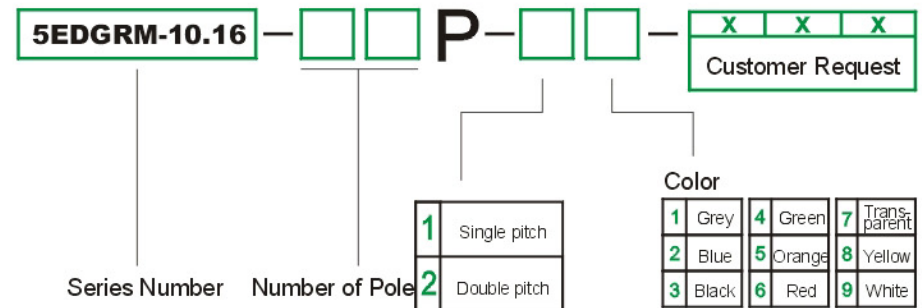


5EDGRM-10.16

Approval	in the course of application CE	
Electrical		
Standard	UL	IEC
Rated voltage	600V	630V
Rated current	30A	41A
With standing voltage	AC3000V/1Min	
Mechanical		
Ambient temperature	-40°C~+105°C	
Dimensions		
Pitch	10.16 mm(.400")	
Poles	2P-9P	
Material		
Housing	PA66, UL94V-0	
Pin header	Copper, Tin plated	
Nut	Brass	



HOW TO ORDER



MM (INCH)		DEGSON ELECTRONICS CO., LTD.
	NAME	5EDGRM-10.16