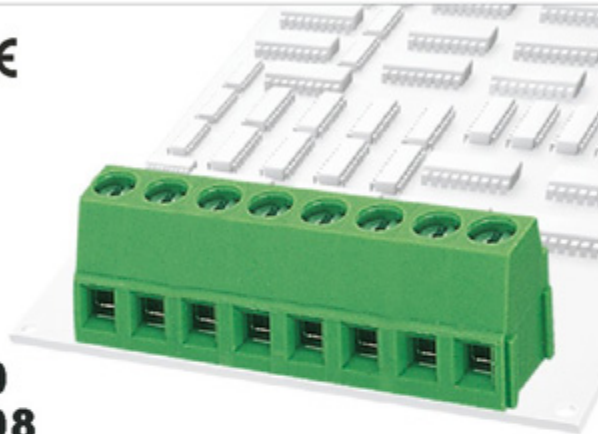


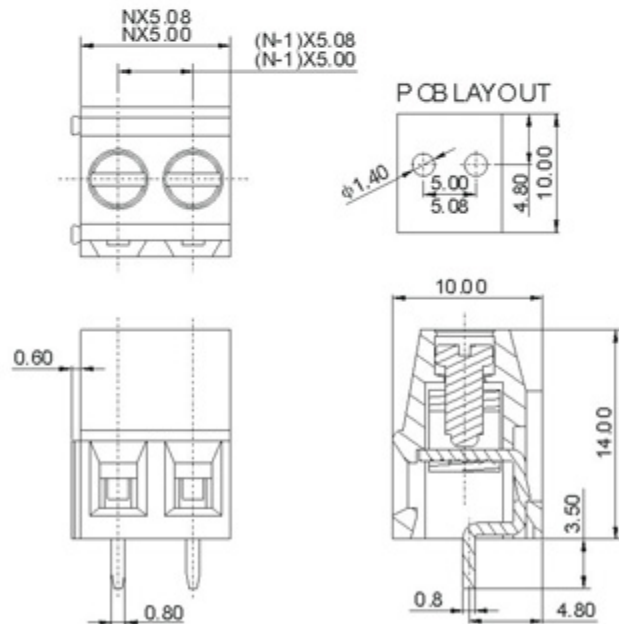


DEGSON ELECTRONICS CO., LTD.

Product Specification



DG500-5.0
DG500-5.08

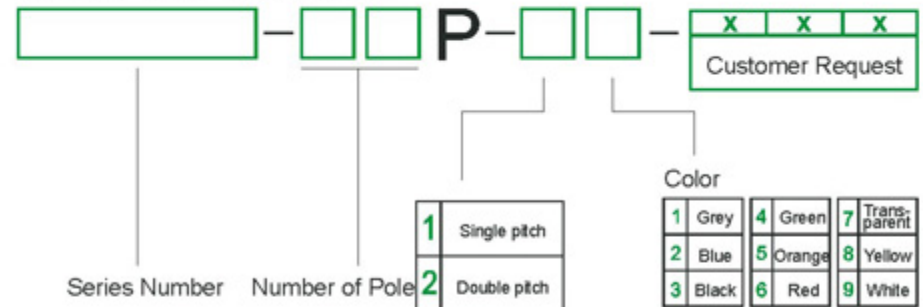


Approval		
Electrical		
Standard	UL	IEC
Rated voltage	300V	250V
Rated current	10A	18A
Wire range	24-12AWG	2.5mm ²
With standing voltage	AC2000V/1Min	

Mechanical	
Torque	0.4Nm(3.5Lb-In.)
Ambient temperature	-40°C~+105°C
Strip length	7mm
Dimensions	
Pitch	5.0mm(.197")/5.08mm(.200")
Poles	2P,3P-24P

Material	
Housing	PA66, UL94V-0
Screws	M2.5, steel, Cr ³⁺ Zn plated
Pin header	Brass, Tin plated
Cage	Brass, Ni plated

HOW TO ORDER



	DEGSON ELECTRONICS CO., LTD.
	NAME DG500-5.0 DG500-5.08