

C0060 Series Side Entry P.C.B. Jack



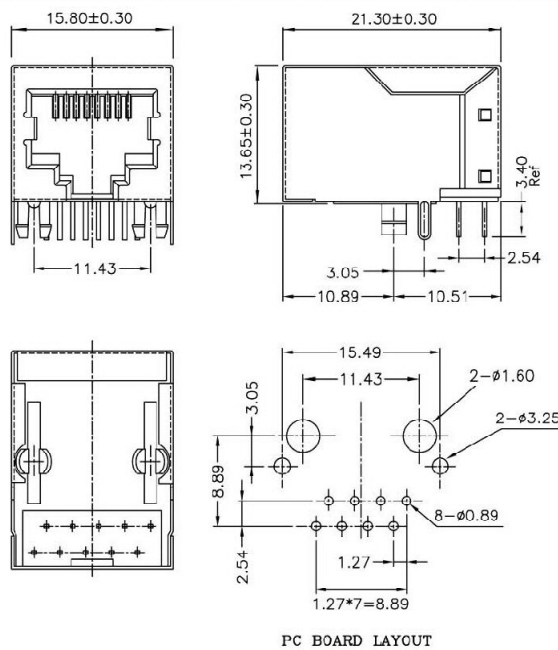
C	0060	—	88	A	N	G	B	0	0
1	2		3	4	5	6	7	8	9

- | | | | |
|---|---|--|--|
| <p>1. PRODUCTS:
C: Connector</p> <p>2. SERIES NO.:
0060</p> <p>3. CONTACT NO.:
82: 8P2C
84: 8P4C
86: 8P6C
88: 8P8C
02: 10P2C
04: 10P4C
06: 10P6C
08: 10P8C</p> | <p>4. GANG OPTION:
A: 1 Jack
B: 2 Jacks
C: 3 Jacks
D: 4 Jacks
E: 5 Jacks
F: 6 Jacks
G: 7 Jacks
H: 8 Jacks
I: 9 Jacks
J: 10 Jacks
K: 11 Jacks
L: 12 Jacks</p> | <p>5. BODY OPTION:
N: W/O Shielded
A: Fully Shielded A Type
B: Fully Shielded B Type
C: Fully Shielded C Type
F: Front Shielded Only</p> <p>6. CONTACT PLATING:
G: Gold Flash
K: Gold 6U"
C: Gold 15U"
D: Gold 30U"
M: Gold 50U"</p> | <p>7. INSULATOR COLOR:
B: Black</p> <p>8. FILL IT WITH "0"</p> <p>9. FILL IT WITH "0"</p> |
|---|---|--|--|

1

C0060-XXAAXB00R

SIDE ENTRY PCB JACK ROUND PIN 1 JACK FULLY SHIELDED A TYPE



MATERIAL AND FINISH

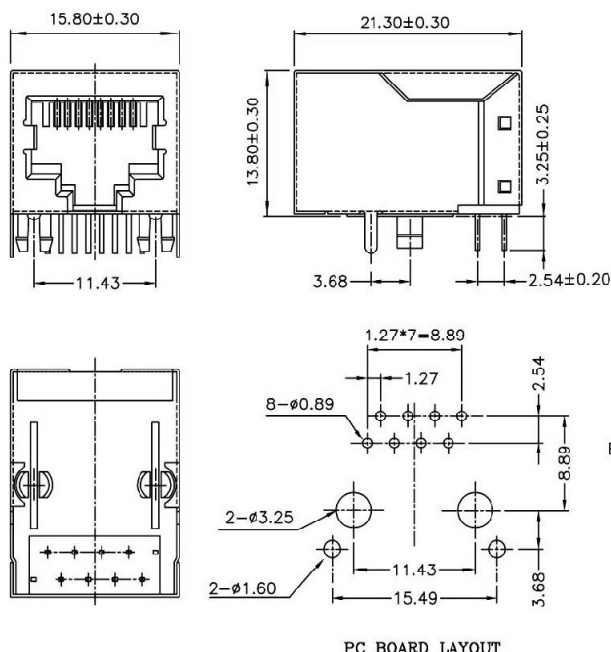
Housing: Standard Material Glass Filled Polyester UL 94V-0
Standard Colour Black.

Contact: 0.45mm Thickness Phosphor Bronze,
Gold Plating Over Nickel in Contact Area.
Tin Plating Over Nickel in Solder Area.

Gold Plating: Selective Gold Plating.

ELECTRONIC COMPONENTS

2

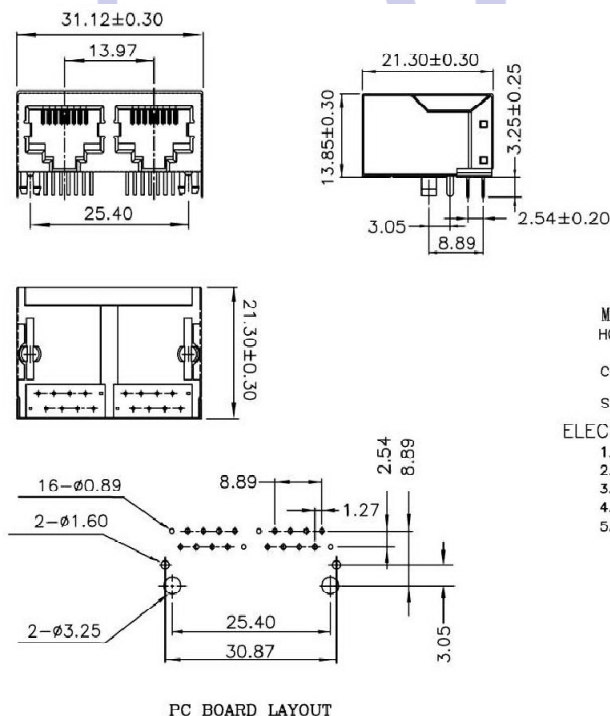
C0060-XXABXB00R**SIDE ENTRY PCB JACK ROUND PIN 1 JACK FULLY SHIELDED B TYPE**

MATERIALS AND FINISH
 HOUSING—PBT POLYESTER UL-94V-0 MIXED GLASS FIBER.
 STANDARD COLOR FIBER.
 CONTACT—0.45mm DIAMETER PHOS-BRONZE
 PLATED WITH HARD GOLD.
 SHIELD:0.25mm THICK COPPER ALLOY PLATED WITH NICKEL.

ELECTRICAL:

- 1.CURRENT RATING: 1.5 AMP
- 2.VOLTAGE RATING: 150 VAC
- 3.CONTACT RESISTANCE: 20 MILLIOHMS MAX
- 4.INSULATION RESISTANCE: 500 MILLIOHMS MIN
- 5.DIELECTRIC WITHSTANDING VOLTAGE: 1000 VAC, 1MIN

3

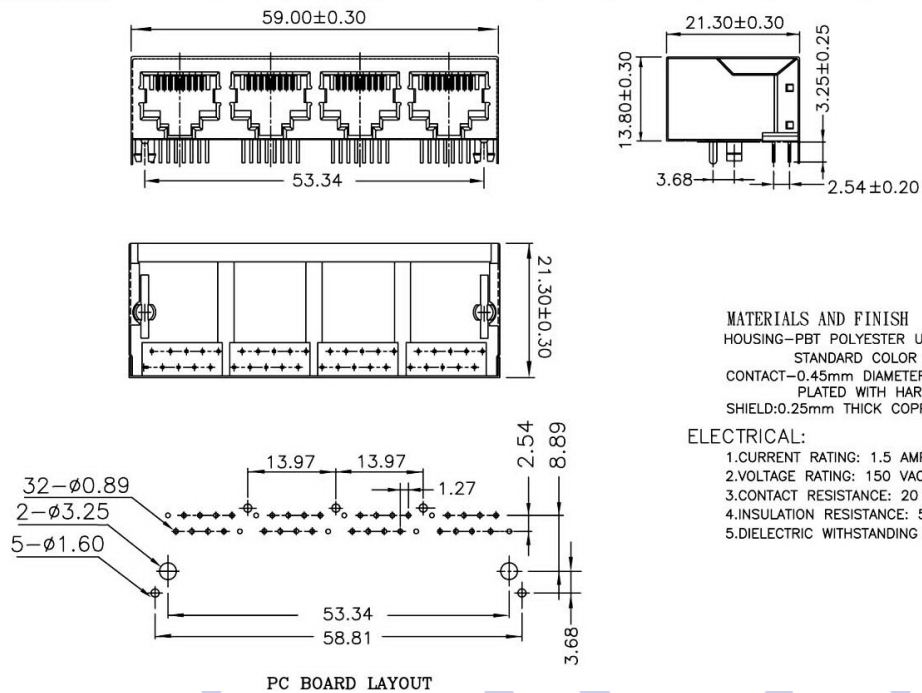
C0060-XXBAXB00R**SIDE ENTRY PCB JACK STAMPED PIN 2 JACK FULLY SHIELDED A TYPE**

MATERIALS AND FINISH
 HOUSING—PBT POLYESTER UL-94V-0 MIXED GLASS FIBER.
 STANDARD COLOR FIBER.
 CONTACT—0.45mm DIAMETER PHOS-BRONZE
 PLATED WITH HARD GOLD.
 SHIELD:0.25mm THICK COPPER ALLOY PLATED WITH NICKEL.

ELECTRICAL:

- 1.CURRENT RATING: 1.5 AMP
- 2.VOLTAGE RATING: 150 VAC
- 3.CONTACT RESISTANCE: 20 MILLIOHMS MAX
- 4.INSULATION RESISTANCE: 500 MILLIOHMS MIN
- 5.DIELECTRIC WITHSTANDING VOLTAGE: 1000 VAC, 1MIN

4

C0060-XXDBXB00R**SIDE ENTRY PCB JACK STAMPED PIN 4 JACK FULLY SHIELDED B TYPE**

ELECTRONIC
 COMPONENTS