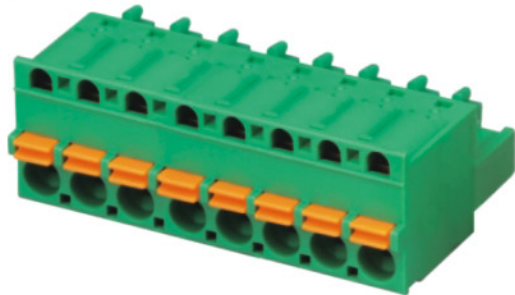




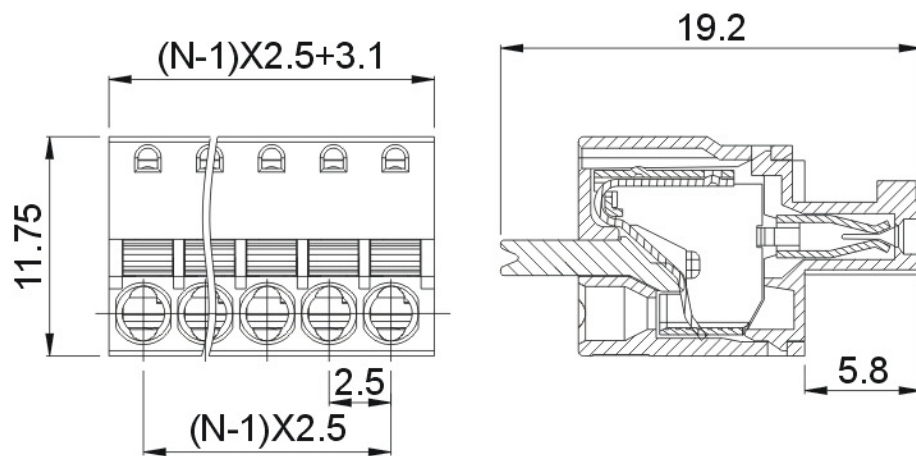
# DEGSON ELECTRONICS CO., LTD.

## Product Specification

CE in the course of application



**15EDGKD-2.5**



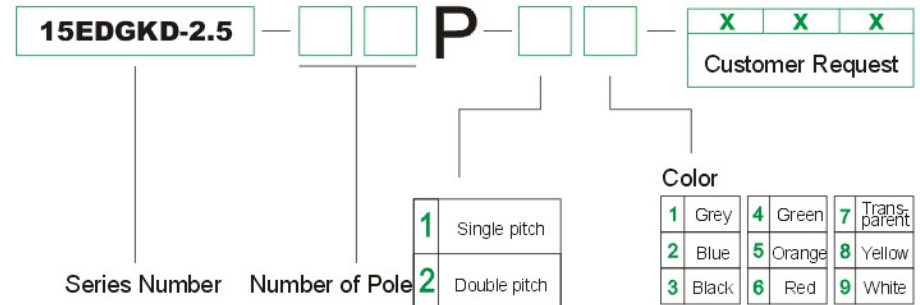
<b>Approval</b>	in the course of application		CE
<b>Electrical</b>			
Standard	UL	IEC	
Rated voltage	125V	130V	
Rated current	4A	10A	
Wire range	28-20AWG	0.5mm <sup>2</sup>	
With standing voltage	AC1250V/1Min		

<b>Mechanical</b>			
Ambient temperature	-40°C~+105°C		
Strip length	8mm		

<b>Dimensions</b>			
Pitch	2.5mm (.098")		
Poles	2P-12P		

<b>Material</b>			
Housing	PA66, UL94V-0		
Contact	Phosphor bronze		
Wire guard	Stainless steel		

### HOW TO ORDER



		<b>DEGSON ELECTRONICS CO., LTD.</b>
	NAME	<b>15EDGKD-2.5</b>