

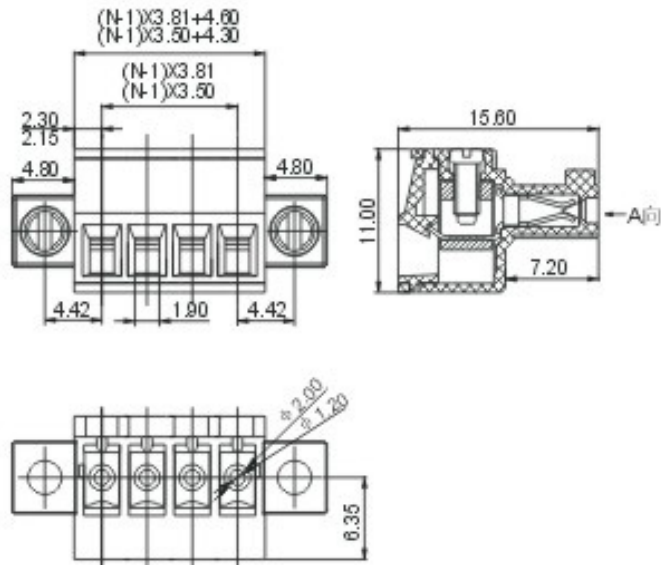


# DEGSON ELECTRONICS CO., LTD.

## Product Specification



**15EDGKM-3.5**  
**15EDGKM-3.81**

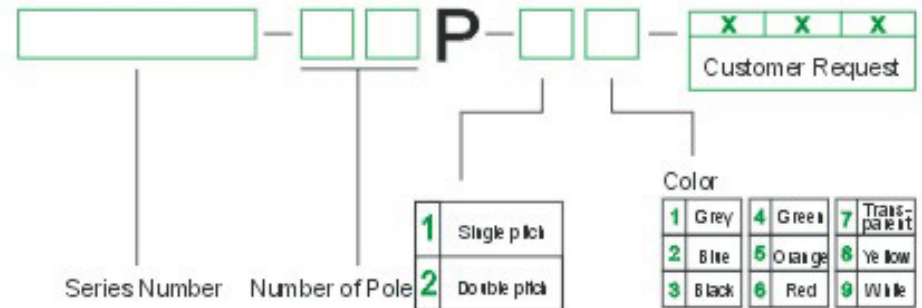


Approval	UL	VDE
<b>Electrical</b>		
Standard	UL	IEC
Rated voltage	300V	250V
Rated current	8A	7A
Wire range	28-16AWG	0.5-1.5mm <sup>2</sup>
With standing voltage	AC2000V/1Min	

<b>Mechanical</b>	
Torque	0.2Nm (1.7Lb-In.)
Ambient temperature	-40°C ~ +105°C
Strip length	7mm
<b>Dimensions</b>	
Pitch	3.5mm (.138") 3.81mm (.150")
Poles	2P-20P

<b>Material</b>	
Housing	PA66, UL94V-0
Screws	M2, steel, Cr <sup>3+</sup> Znplated
Contact	Phosphor bronze
Cage	Brass, Ni plated

### HOW TO ORDER



	<b>DEGSON ELECTRONICS CO., LTD.</b>
	<b>NAME</b> <b>15EDGKM-3.5</b> <b>15EDGKM-3.81</b>