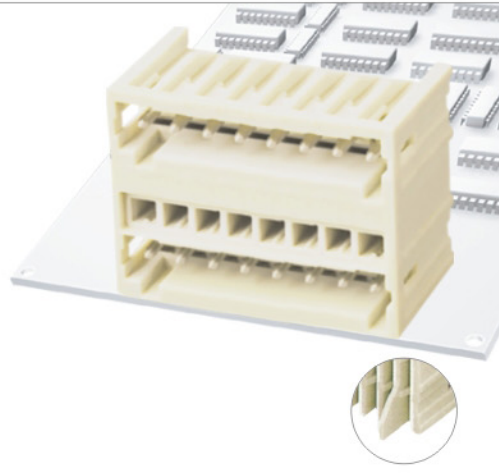




# DEGSON ELECTRONICS CO., LTD.

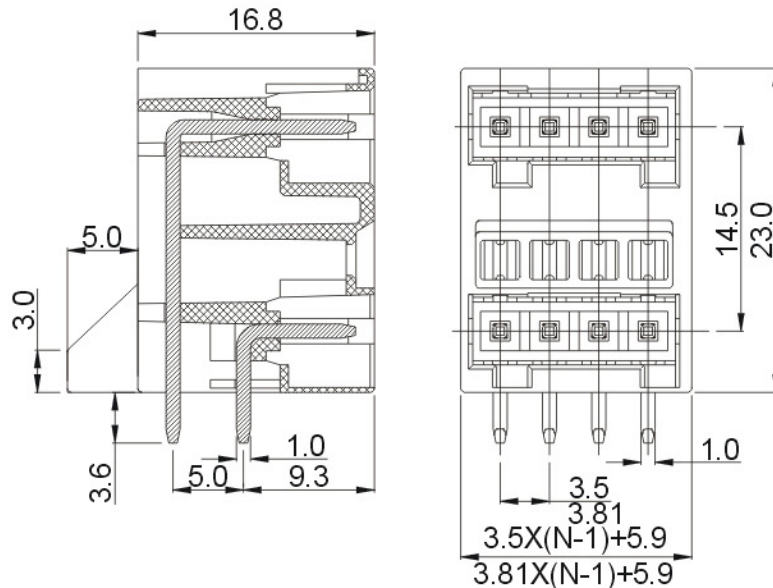
## Product Specification

CE

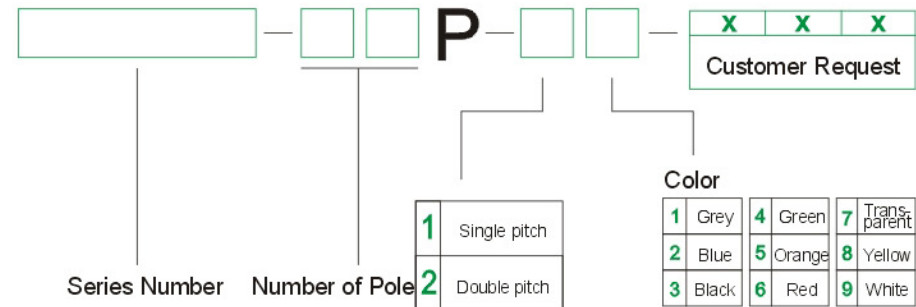


**8EDGRHB-3.5**  
**8EDGRHB-3.81**

<b>Approval</b>	CE	
<b>Electrical</b>		
Standard	UL	IEC
Rated voltage	300V	250V
Rated current	8A	10A
With standing voltage	AC2000V/1Min	
<b>Mechanical</b>		
Ambient temperature	-40°C~+105°C	
<b>Dimensions</b>		
Pitch	3.5mm(.138") 3.81mm(.150")	
Poles	2*(2P-24P)	
<b>Material</b>		
Housing	PA66, UL94V-0	
Pin header	Copper, Tin plated	



### HOW TO ORDER



		<b>DEGSON ELECTRONICS CO., LTD.</b>
	NAME	<b>8EDGRHB-3.5</b> <b>8EDGRHB-3.81</b>