

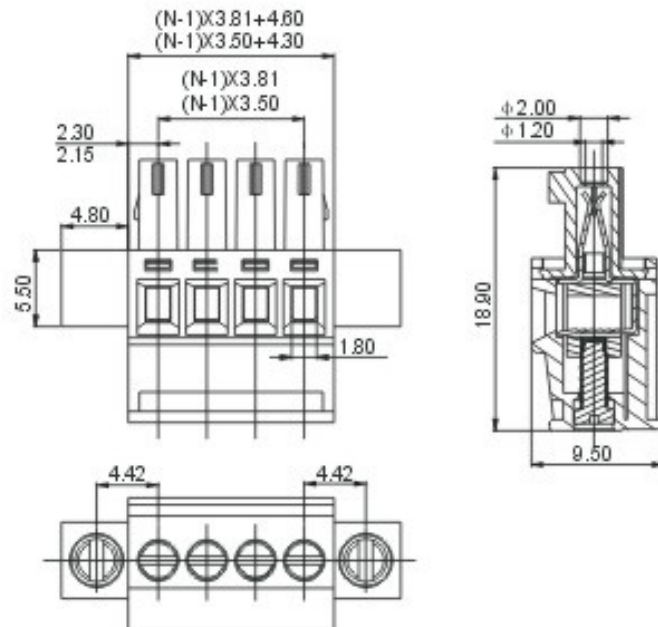


DEGSON ELECTRONICS CO., LTD.

Product Specification



15EDGKAM-3.5
15EDGKAM-3.81

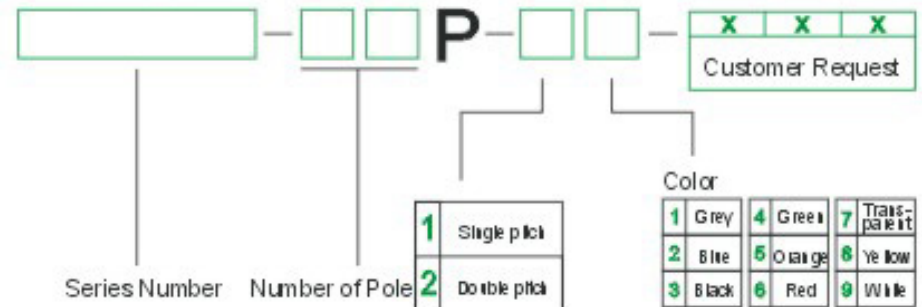


Approval		
Electrical		
Standard	UL	IEC
Rated voltage	300V	250V
Rated current	8A	7A
Wire range	28-16AWG	0.5-1.5mm ²
With standing voltage	AC2000V/1Min	

Mechanical	
Torque	0.2Nm (1.7Lb-In.)
Ambient temperature	-30°C~+120°C
Strip length	7mm
Dimensions	
Pitch	3.5mm (.138") 3.81mm (.150")
Poles	2P-20P

Material	
Housing	PBT, UL94V-0
Screws	M2, steel, Cr ^{III} Znplated
Contact	Phosphor bronze
Cage	Brass, Ni plated

HOW TO ORDER



	DEGSON ELECTRONICS CO., LTD.
	NAME 15EDGKAM-3.5 15EDGKAM-3.81