

## H2003 Series 2.0mm Crimp Terminal Housing



<b>H</b>	<b>2003</b>	—	<b>02</b>	<b>P</b>	<b>S</b>	<b>W</b>	<b>0</b>	<b>0</b>	<b>0</b>
1	2		3	4	5	6	7	8	9

1. PRODUCTS:  
H:Housing

2. SERIES NO.:  
2003

3. CONTACT NO:  
02-16(Single Row)  
06(2x3)-32(2x16)  
(Dual Row)

4. CONTACT TYPE:  
P:Non Distribution

5. ROW TYPE:  
S:Single Row  
D:Dual Row

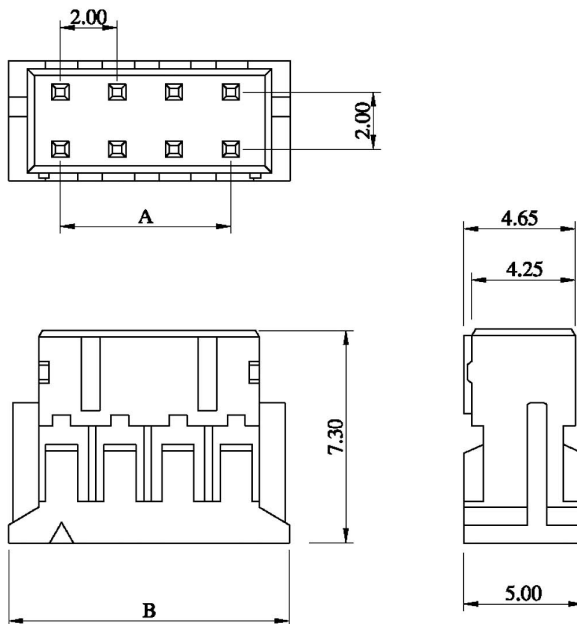
6. INSULATOR COLOR:  
W:White

7. FILL IT WITH "0"

8. FILL IT WITH "0"

9. FILL IT WITH "0"

### 1 H2003-XXPDW000R 2.0mm HOUSING DUAL ROW



#### SPECIFICATIONS

Current rating : 2A AC,DC  
Voltage rating : 250V AC,DC  
Temperature range : -25°C to +85 °C  
Contact resistance : 20mΩ Max.  
Insulation resistance : 1000MΩ Min.  
Withstanding voltage : 800V AC/minute  
Material : Nylon 66, UL94V-0

#### Ordering Information & Dimensions

Poles	Dimension (mm)	
	A	B
2x3	4.00	7.90
2x4	6.00	9.90
2x5	8.00	11.90
2x6	10.00	13.90
2x7	12.00	15.90
2x8	14.00	17.90
2x9	16.00	19.90
2x10	18.00	21.90
2x11	20.00	23.90
2x12	22.00	25.90
2x13	24.00	27.90
2x14	26.00	29.90
2x15	28.00	31.90
2x16	30.00	33.90

ELECTRONIC  
COMPONENTS

2

**H2003-XXPSW000R**  
**2.0mm HOUSING SINGLE ROW**

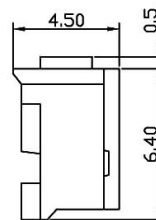
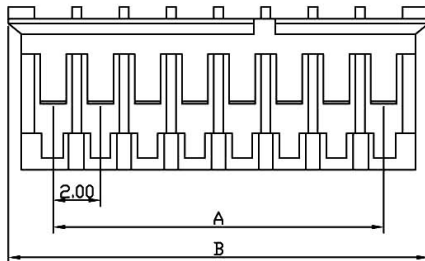
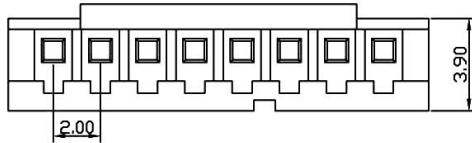
**SPECIFICATIONS**

**Electrical**

Current Rating: 2A AC, DC  
 Voltage Rating: 100V AC/ max.  
 Operating Temp.: -25°C ~ +85°C  
 Insulation Resistance: 1000MΩ/ min.  
 Dielectric Withstanding Voltage: 800V AC/ min.  
 Contact Resistance: 20mΩ/ max.

**Material**

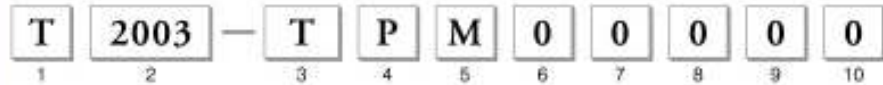
Material: Nylon 66, UL94V-0



Poles	Dimension mm (in.)	
	A	B
2	2.0(0.079)	5.8(0.228)
3	4.0(0.157)	7.8(0.307)
4	6.0(0.236)	9.8(0.386)
5	8.0(0.315)	11.8(0.465)
6	10.0(0.394)	13.8(0.543)
7	12.0(0.472)	15.8(0.622)
8	14.0(0.551)	17.8(0.701)
9	16.0(0.630)	19.8(0.780)
10	18.0(0.709)	21.8(0.858)
11	20.0(0.787)	23.8(0.937)
12	22.0(0.866)	25.8(1.016)
13	24.0(0.945)	27.8(1.094)
14	26.0(1.024)	29.8(1.173)
15	28.0(1.102)	31.8(1.252)
16	30.0(1.181)	33.8(1.331)

RoHS Compliant

**T2003 Series 2.0mm Crimp Contacts**



- |  |   |  |
|--|---|--|
| <p>1. PRODUCTS:<br/>T: Terminal</p> <p>2. SERIES NO.:<br/>2003</p> <p>3. CONTACT PLATING:<br/>T: Tin<br/>S: Selective Gold<br/>G: Gold Flash</p> | <p>4. MATERIAL:<br/>P: Phosphor Bronze<br/>B: Brass</p> <p>5. WIRE OPTION:<br/>J: Suitable For 22-28 Awg<br/>L: Suitable For 24-28 Awg<br/>M: Suitable For 26-28 Awg</p> <p>6. FILL IT WITH "0"</p> | <p>7. FILL IT WITH "0"</p> <p>8. FILL IT WITH "0"</p> <p>9. FILL IT WITH "0"</p> <p>10. FILL IT WITH "0"</p> |
|--|---|--|

ELECTRONIC COMPONENTS

1

**T2003-TPX00000R****2.0mm TERMINAL PHOSPHOR BRONZE MATERIAL****Features:**

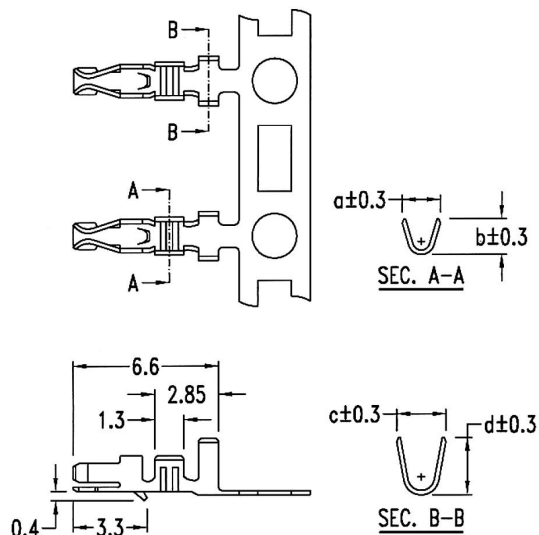
- Material: Phosphor bronze
- Finished: Tin-plated
- Thickness: 0.2mm

**Specifications:**

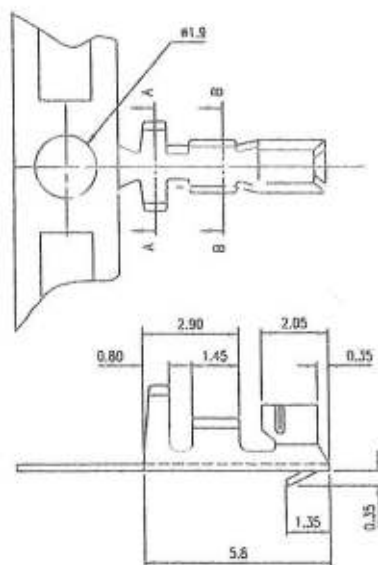
- Current rating: 3A AC, DC
- Voltage rating: 250V AC, DC
- Contact resistance: Initial value/10mΩ Max.  
After environmental testing/20mΩ Max.
- Withstanding voltage: 800V AC/minute
- Temperature rise: -25°C ~ 85°C Max.  
(including temperature rise)

**Dimensional Information ( mm )**

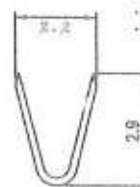
Dim. a	Dim. b	Dim. c	Dim. d	Wire range
1.6	1.35	2.1	2.5	#24 ~ #28
1.7	1.60			#22 ~ #26



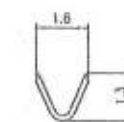
2

**T2003-TPM00000R****2.0mm TERMINAL PHOSPHOR BRONZE MATERIAL FOR 26~30AWG****■ TERMINAL**

- Part No:
- Material: Phos. bronze
- Thickness: 0.2mm
- Plating: Tin plated 60u"
- Wire Range: Suitable for AWG#26~30
- Insulation O.D: 1.40mm (max)
- QTY: 10,000 pcs/roll

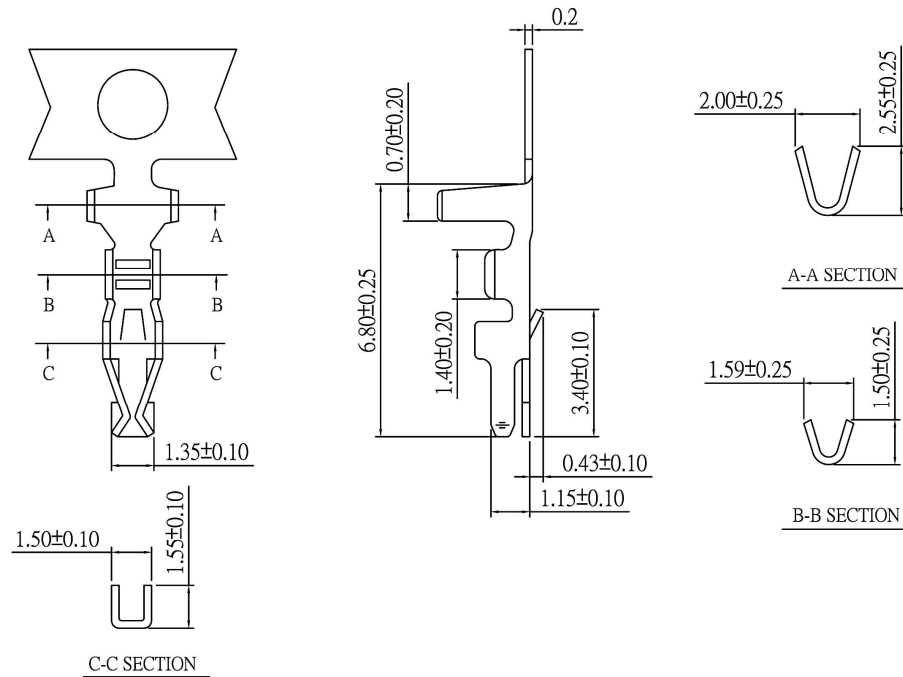


A-A SECTION



B-B SECTION

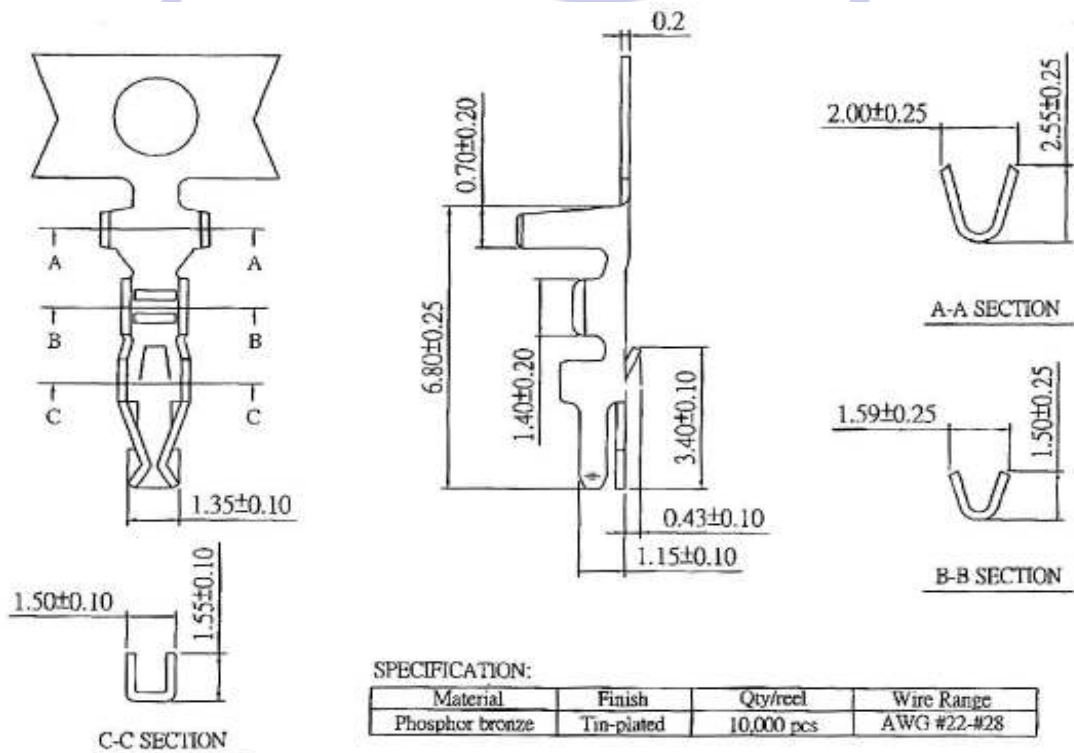
3

**T2003-TPL00000R****JST PHD 2.0mm TERMINAL PHOSPHOR BRONZE MATERIAL FOR 24~28AWG**

SPECIFICATION:

Material	Finish	Qty/reel	Wire Range
Phosphor bronze	Tin-plated	10,000 pcs	AWG #24-#28

4

**T2003-TPJ00000R****2.0mm TERMINAL FOR 22~28AWG**

SPECIFICATION:

Material	Finish	Qty/reel	Wire Range
Phosphor bronze	Tin-plated	10,000 pcs	AWG #22-#28